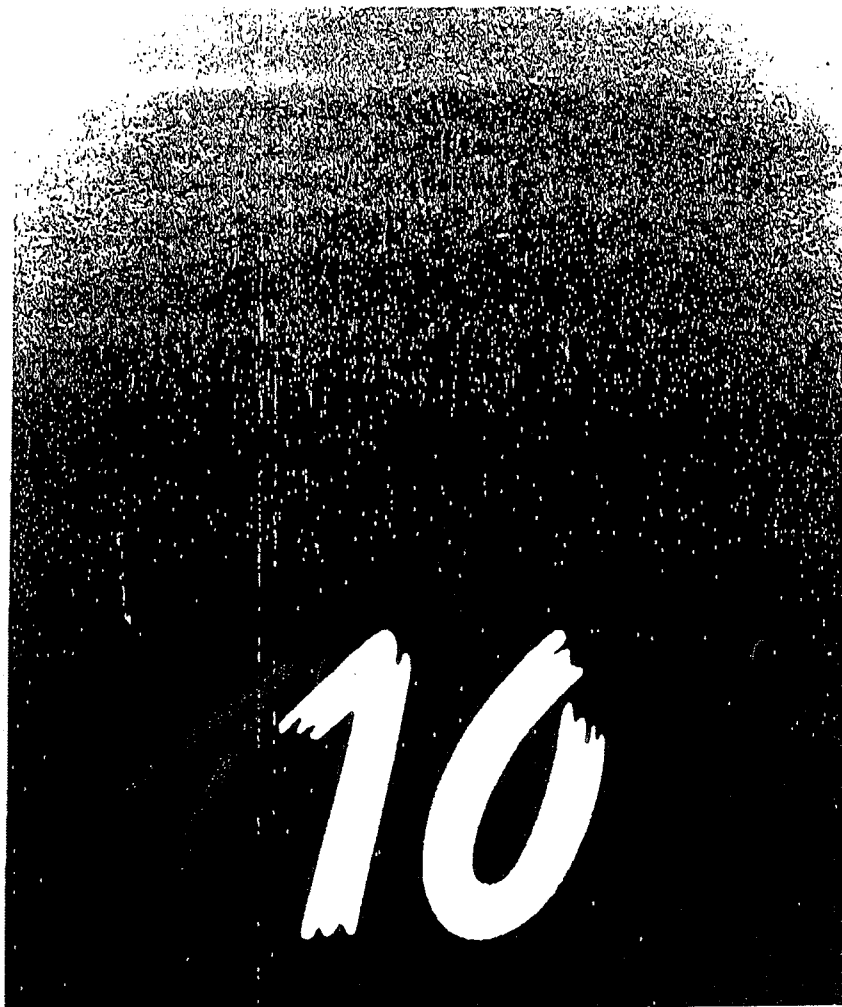




DS
1000

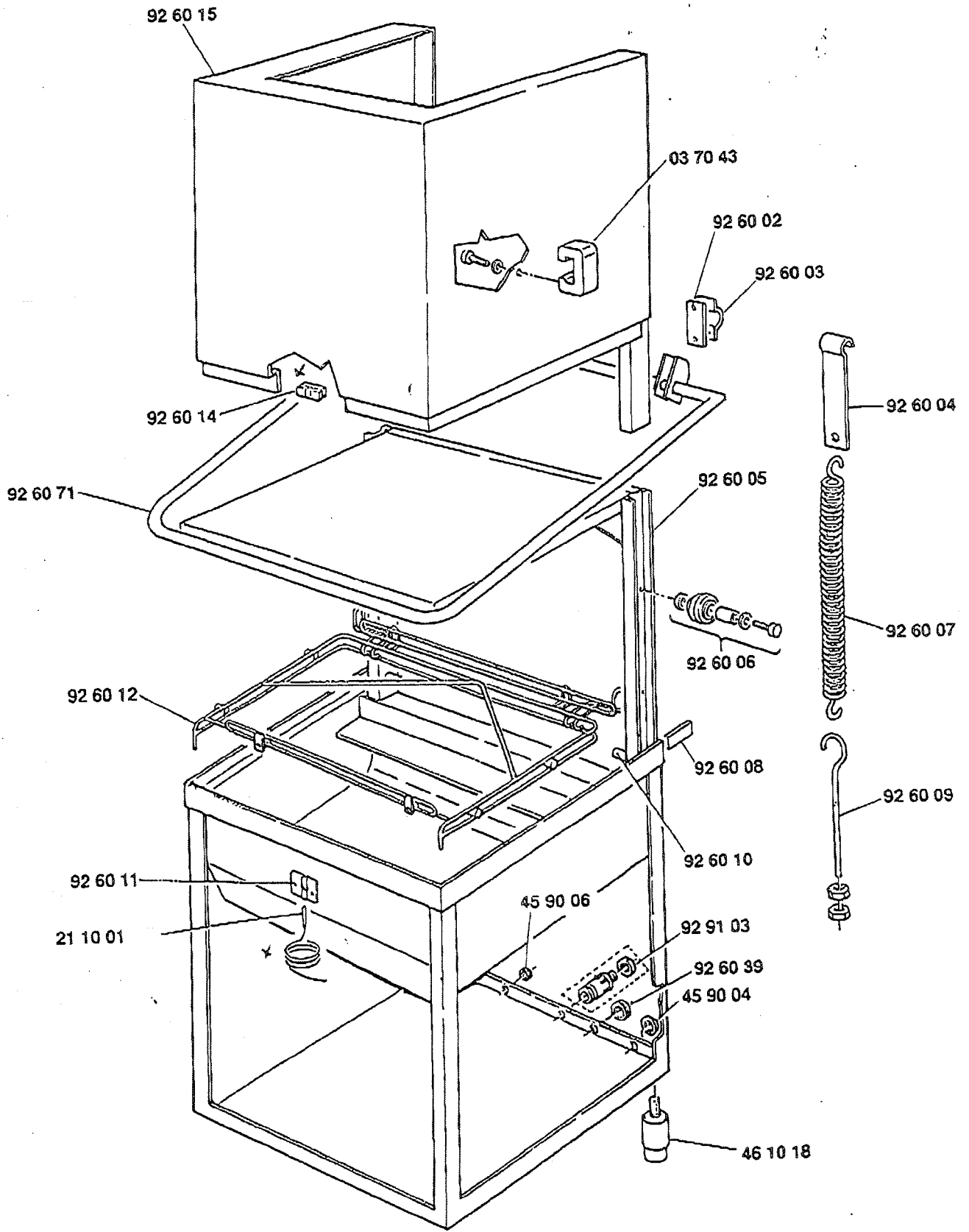
DS 1000A

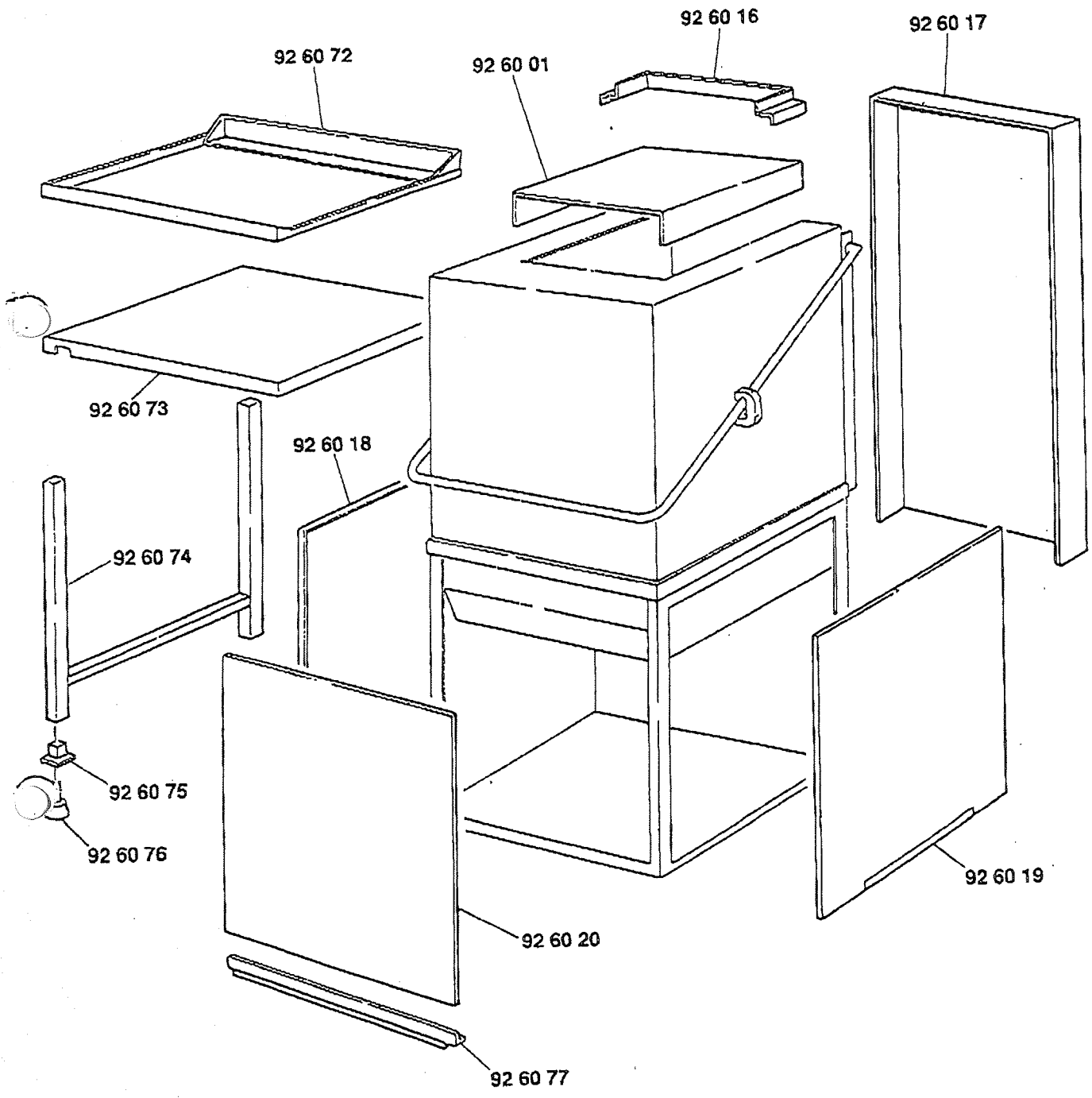
CATALOGO PARTI RICAMBIO
SPARE PARTS CATALOGUE
CATALOGUE PIECES DETACHEES
ERSATZTEILKATALOG
CATALOGO DE PIEZAS DE RECAMBIO
CATALOGO PEÇAS DE REPOSIÇÃO

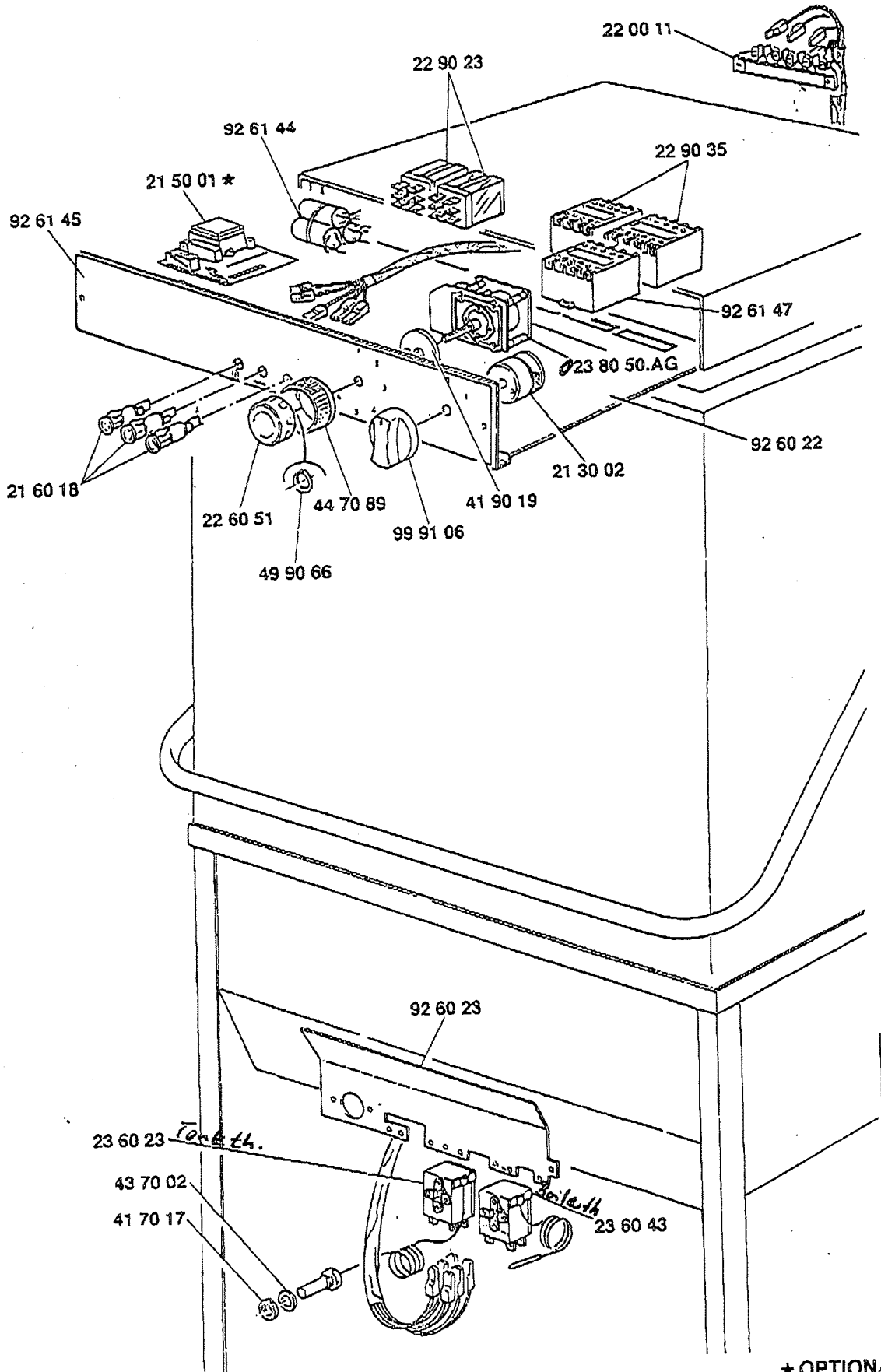


10

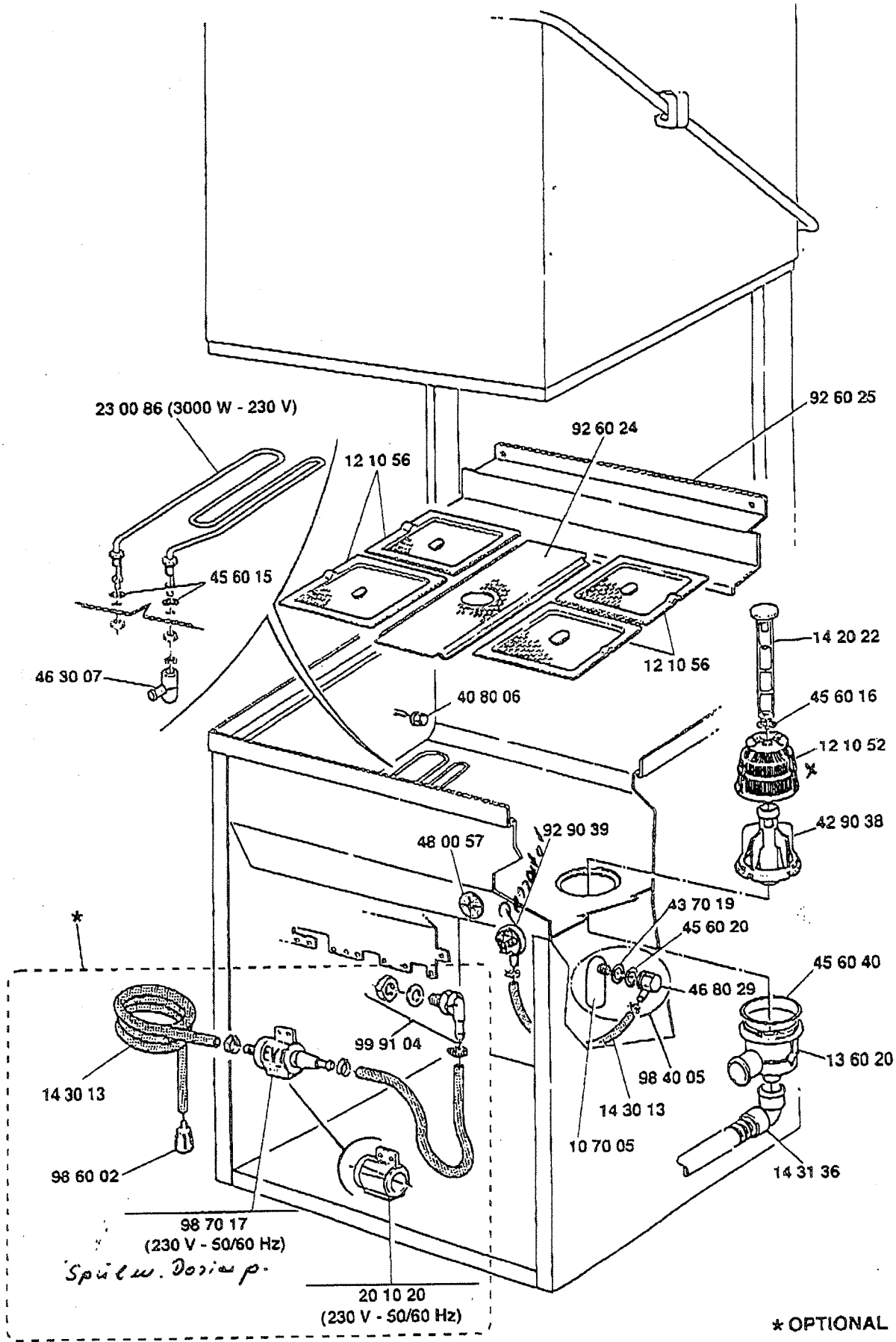
DS 1000
~~DS 1000A~~





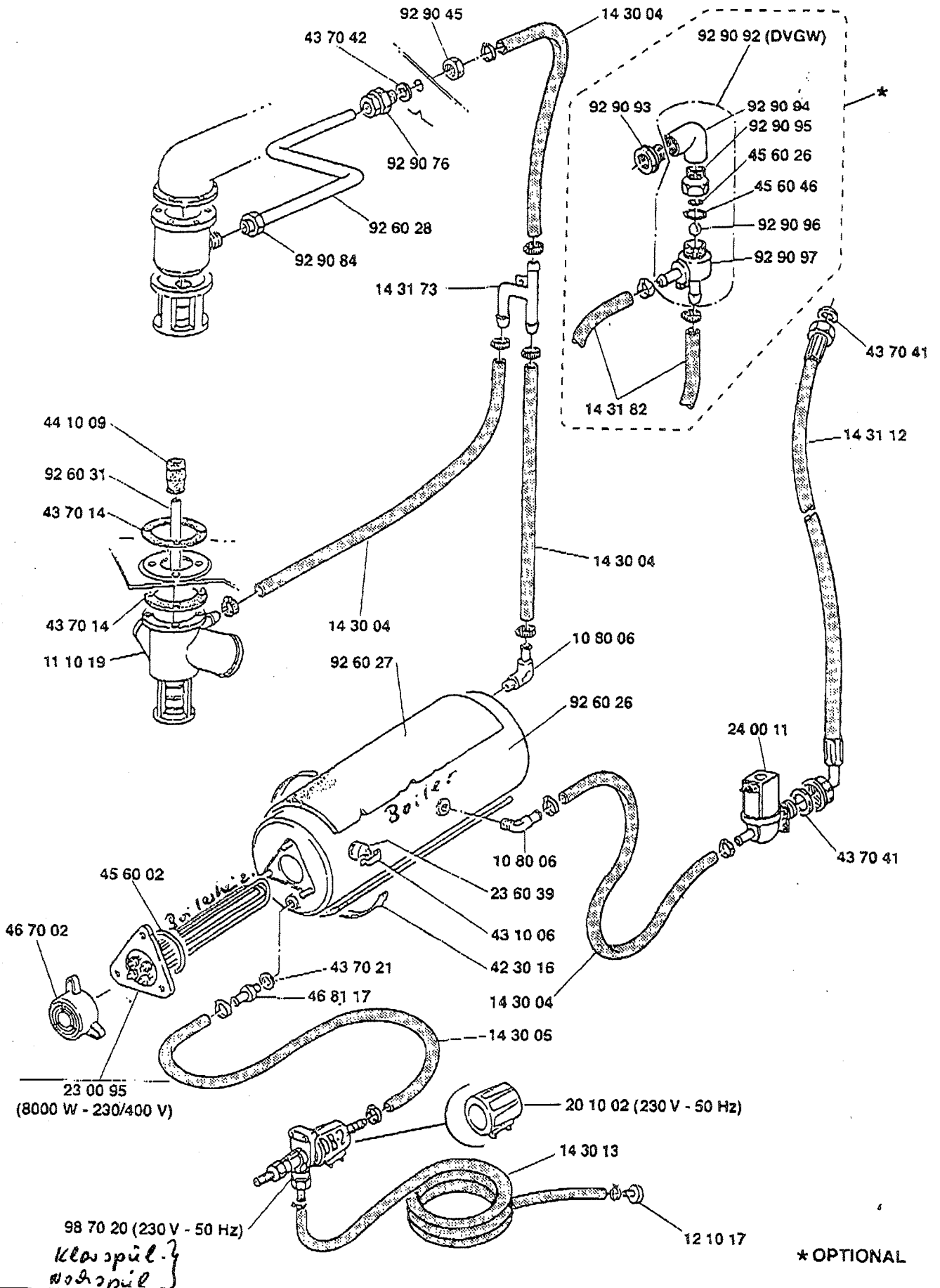


* OPTIONAL



MOD. CLEAN 110

1	2	3	4	5	6	7	8	9	10	11	12	13	14	15
---	---	---	---	---	---	---	---	---	----	----	----	----	----	----

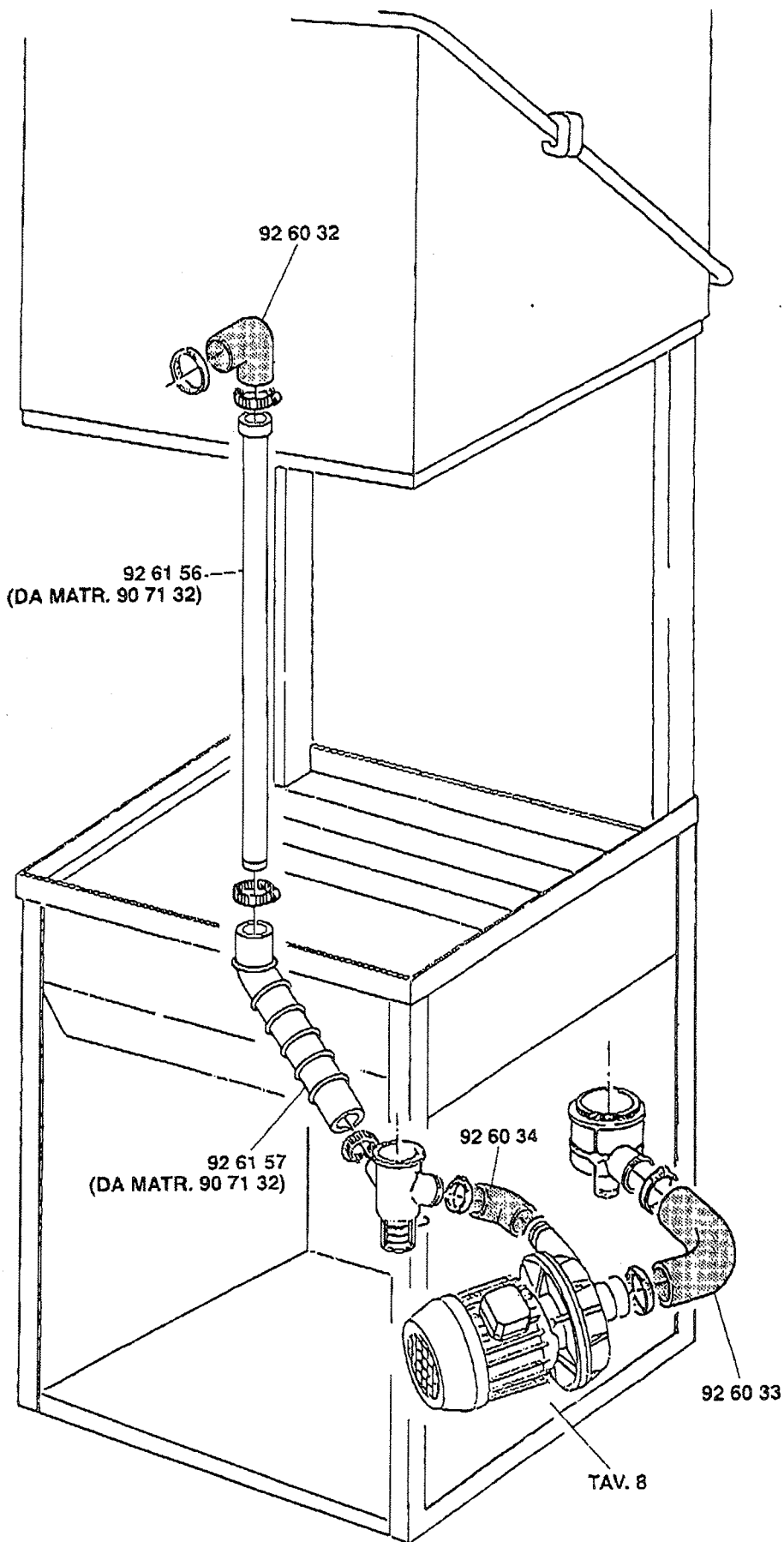


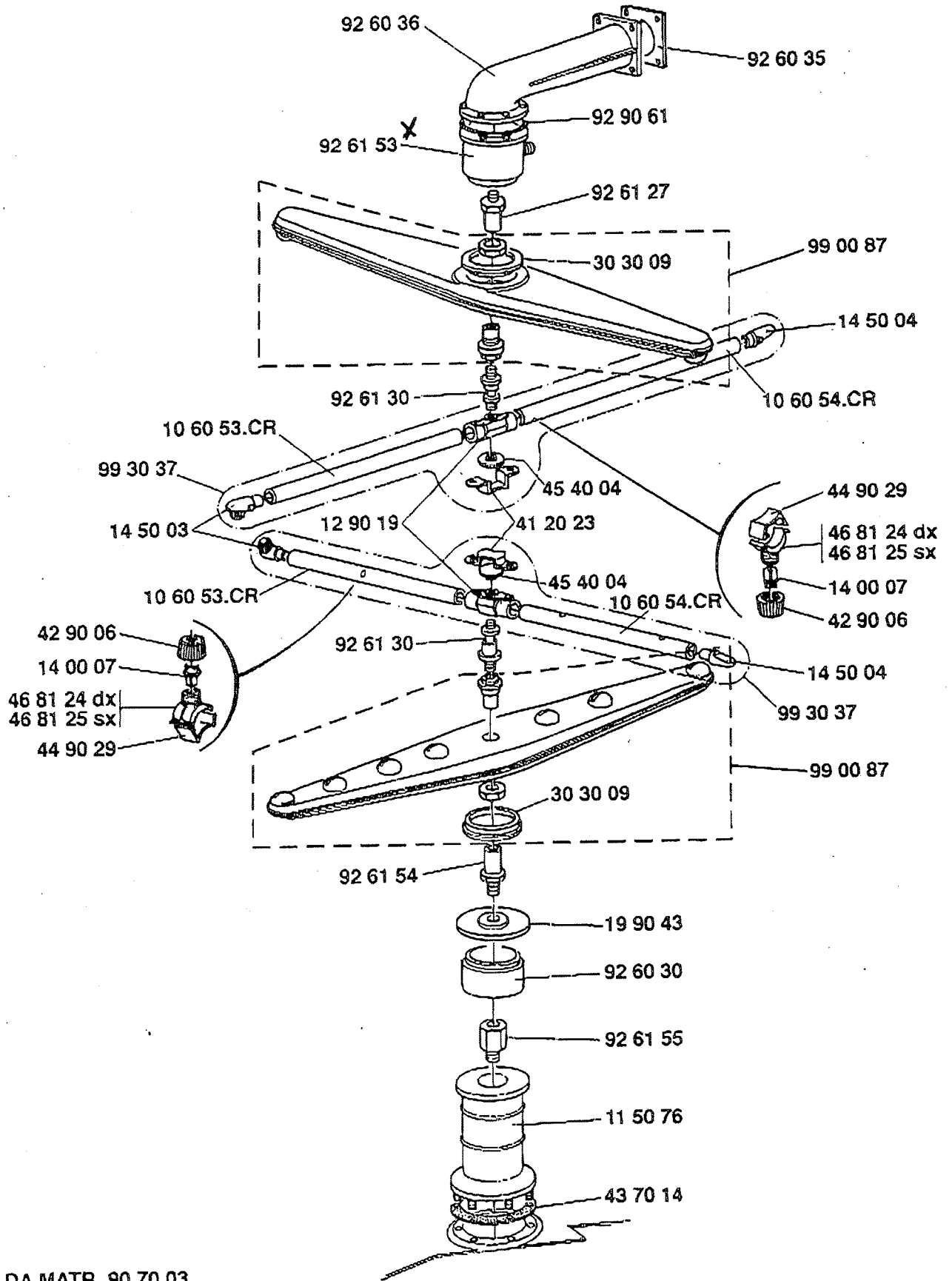
* OPTIONAL

MOD. CLEAN 110

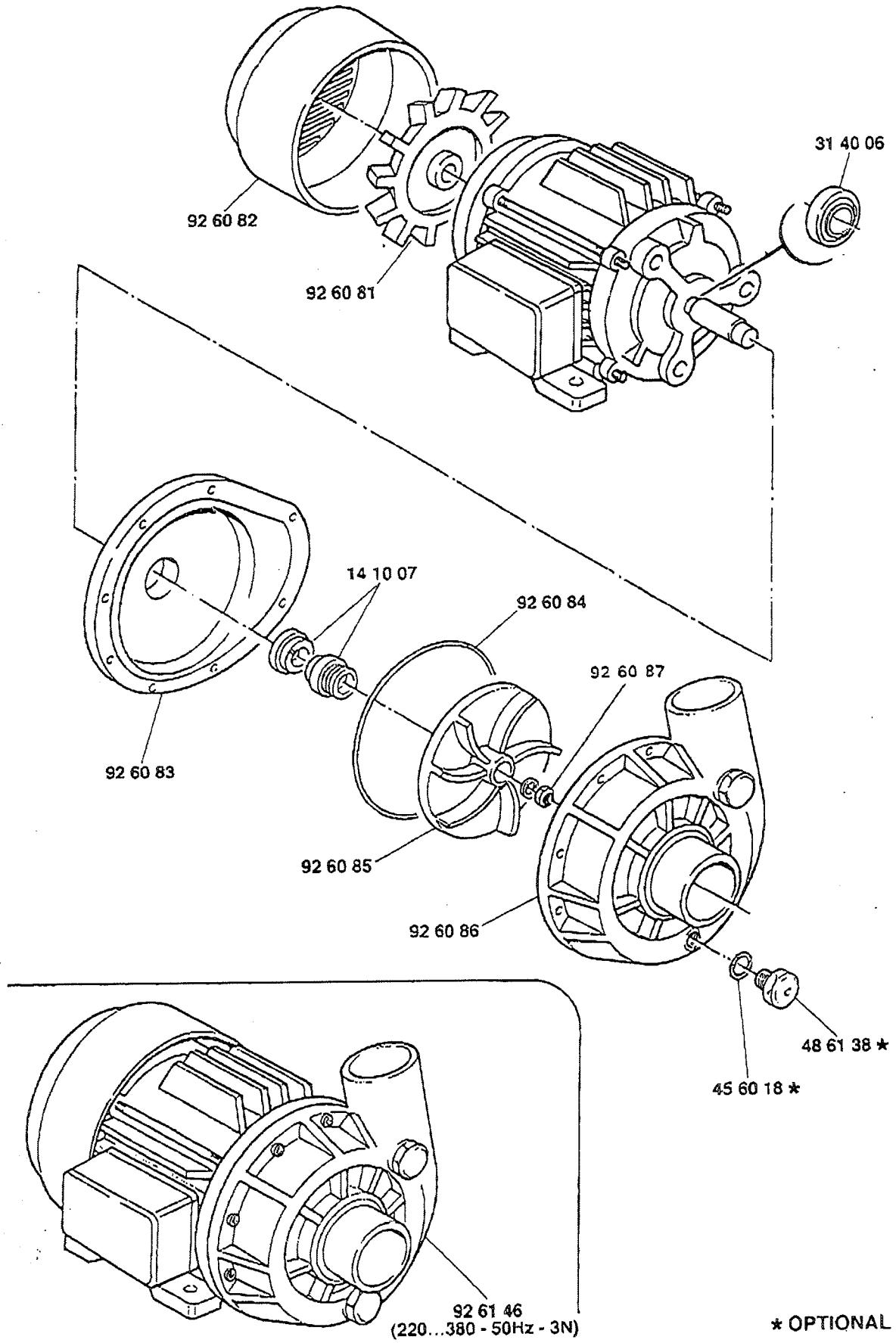
1	2	3	4	5	6	7	8	9	10	11	12	13	14	15
---	---	---	---	---	---	---	---	---	----	----	----	----	----	----

0468046





DA MATR. 90 70 03

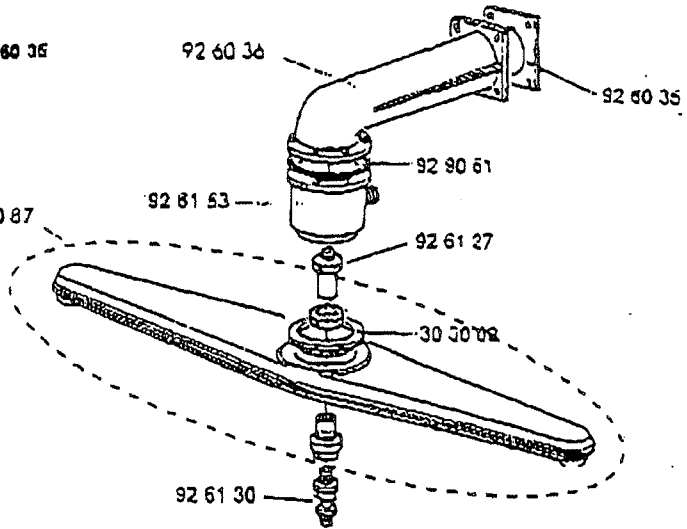
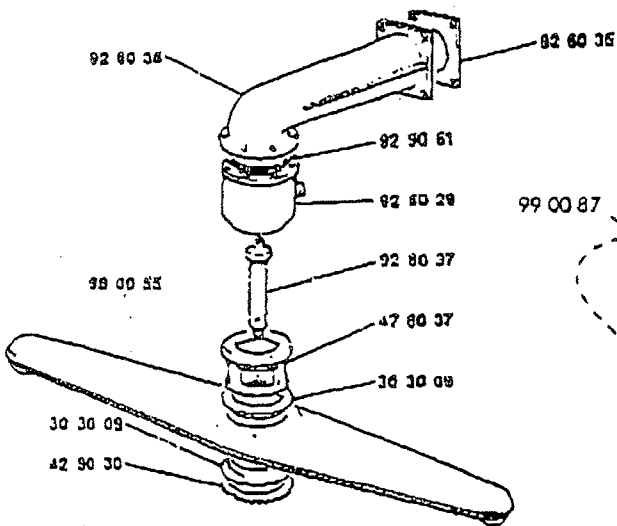


elettrobar

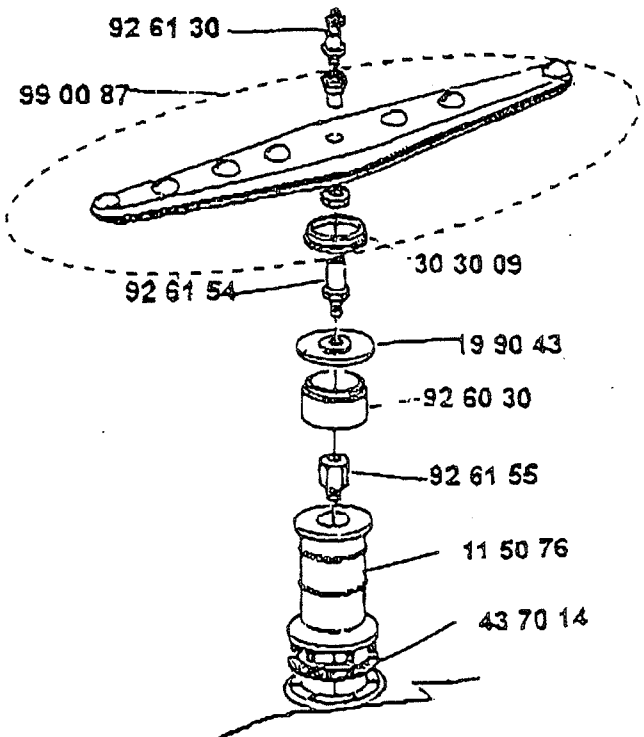
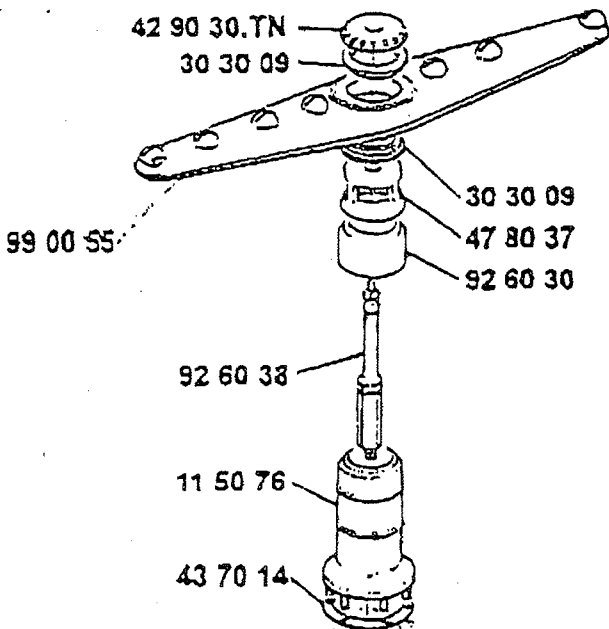
MOD. CLEAN 100 -110
MODIFICA BRACCIO DI LAVAGGIO
WASH ARM MODIFICATION
MODIFICATION BRAS DE LAVAGE
SPUELARMAENDERUNG

205

12.96



NUOVO DA MATR. 907018 (CLEAN 100)
NEW FROM S/N 907018 (CLEAN 100)
NEU AB NR. 907018 (CLEAN 100)
NOUVEAU DU MATR. 907018 (CLEAN 100)



SYMB.	DESCRIZIONE DESCRIPTION	DESCRIPTION BESCHREIBUNG
A1	PROGRAMMATORE CYCLE TIMER	PROGRAMMATEUR CYCLAGE PROGRAMMSHALTWERK SPULU. PROGRAM
B1	PRESSOSTATO PRESSURE SWITCH	DRUCKSCHALTER
B2	TERMOSTATO RESISTENZA BOILER BOOSTER HEATING THERMOSTAT	TERMOSTAT RESISTANCE BOYLER BOILERHEIZUNG
B3	TERMOSTATO DI SICUREZZA BOILER SAFETY BOOSTER HEATER THERMOSTAT	TERMOSTAT DE SECURITE DU BOYLER SICHERHEITSTHERMOSTAT
B4	TERMOSTATO RESISTENZA VASCA TANK HEATER THERMOSTAT	TERMOSTAT RESISTANCE DE CUVE TANKHEIZUNGSTHERMOSTAT
D	SCHEDA CONTROLLO DETERGENT DETERGENT CONTROL UNIT	FICHE DE CONTROL DETERGENT DINHT FÜR SPULMITTELKONTROLL
F1	PROTEZIONE TERMICA ELETTROPOMPA EL. WASH. PUMP THERMAL PROTECTION	PROT. THERMIQUE MOTEUR EL. PUMP THERMISCHER MOTORSCHUTZ
H1	LAMPADA SPA DI LINEA LINE PILOT LAMP	LAMPE TENDOUR DE LIGNE MITZENTROLLAEMPE
H2	LAMPADA SPA MACCHINA PROMTA MACHINE READY PILOT LAMP	TENDOUR MACHERE PRETE A L'EMPLOI MACHINE READYPILOT-KONTROLL
H3	LAMPADA SPA DI CICLO CYCLE PILOT LAMP	LAMPE TEMOIN DE CYCLE WASCHPROGRAMMKONTROLLAEMPE
K1	RELE AUSILIARIO AUXILIARY RELAY	RELAUS AUXILIAIRES HILFRELAYS
K1A	CONTATTI AUSILIARI SU K1 AUXILIARY CONTACTS ON K1	CONTACTS AUXILIAIRES SUR K1 HILFSKONTAKTE ZU K1
K1B	CONTATTI AUSILIARI SU K1 AUXILIARY CONTACTS ON K1	CONTACTS AUXILIAIRES SUR K1 HILFSKONTAKTE ZU K1
K2	CONTATTI AUSILIARI SU K2 AUXILIARY CONTACTS ON K2	CONTACTS AUXILIAIRES SUR K2 HILFSKONTAKTE ZU K2
K2B	CONTATTI AUSILIARI SU K2 AUXILIARY CONTACTS ON K2	CONTACTS AUXILIAIRES SUR K2 HILFSKONTAKTE ZU K2
K3	ELETTROSOSSATORE TENSIDATTIVO EL. RINSEAD INJECTOR	DOSEUR EL. PRODUIT DE RINÇAGE NACHSPULMITTELDOSEGERÄT
K4	ELETTROSOSSATORE DETERGIVO D. DETERGENT INJECTOR	DOSEUR EL. PRODUIT DE RINÇAGE SPULMITTELDOSEGERÄT
K1A1	TELEINTERRUTTORE ELETTROPOMPA LAVAGGIO SCHUTZ F. URWALPUMPE	CONTACTEUR ELECTROPOMPE LAVAGGIO SCHUTZ F. URWALPUMPE
K1B1	TELEINTERRUTTORE RESISTENZA BOILER BOOSTER HEATER CONTACTOR	CONTACTEUR RESISTANCE BOYLER LUFTSCHUTZ F. BOILERHEIZUNG
K1A2	CONTATTI AUSILIARI SU K1A1 AUXILIARY CONTACTS ON K1A1	CONTACTS AUXILIAIRES SUR K1A1 HILFSKONTAKTE ZU K1A1
M1	ELETTROPOMPA LAVAGGIO WASH ELECTRIC PUMP	ELECTROPOMPE LAVAGE ELEKTRISCHE URWALPUMPE
M2	MOTORE PROGRAMMATORE TIMER MOTOR	MOTEUR PROGRAMMATEUR PROGRAMMSCHALTERMOTOR
M3	ELETTROPOMPA AUMENTO PRESSIONE PNSI BOOSTER PUMP	POUPE AUGMENT PRESSION DRUCKSTÜCKERUNGSPUMPE
R1	RESISTENZA BOILER BOOSTER HEATER HEATING ELEMENT	RESISTANCE BOYLER BOILERHEIZUNG
R2	RESISTENZA VASCA LAVAGGIO WASH TANK HEATING ELEMENT	RESISTANCE CUVE DE LAVAGE WASCHTANKHEIZUNG
S1	INTERRUTTORE DI LINEA WACK SWITCH	INTERRUPTEUR DE LIGNE NETZSCHALTER
S2	MICROINTERRUTTORE PORTA DOOR SAFETY MICROSWITCH	MICROINTERRUPTEUR DE PORTI REED KONTAKT SCHALTER TÜERSICHERF
Y1	ELETTROVALVOLA RISCALDAMENTO CALDO HOT RINSE SOLENOID VALVE	ELECTROVANNE DE RINÇAGE CHAUD WÄRMELVENTIL FÜR HEISSRINCHSPÜSE

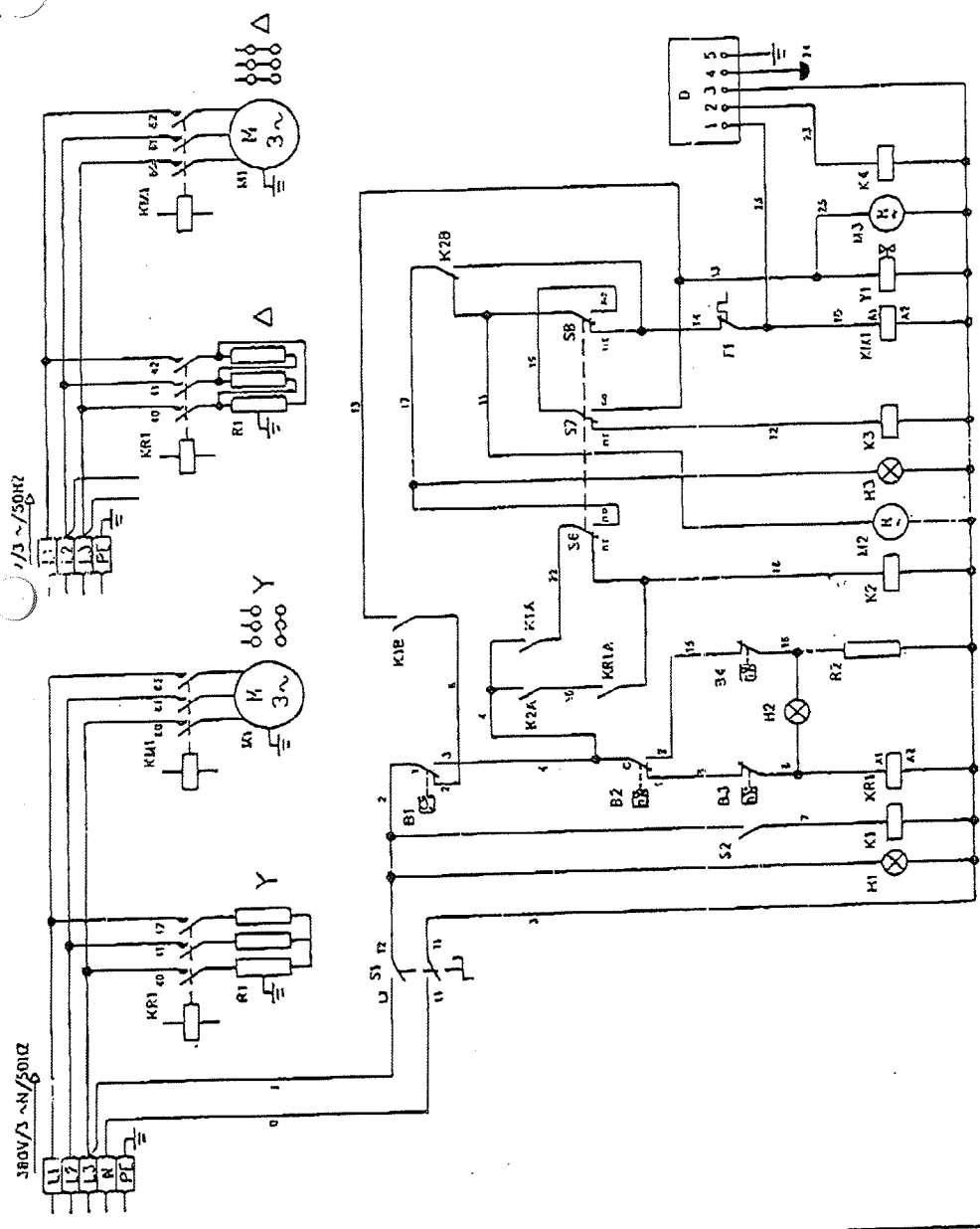
8217
8217
8217

DS 7000 82017

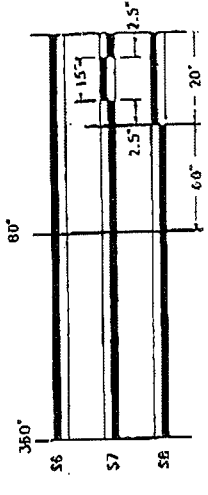
DS 1000 A

SCHEMA ELETTRICO - SCHEMA ELECTRIQUE
WIRING DIAGRAM - SCHALTPLAN

POST. 04. 18/04/84 TUSA G.L.



IL PRESENTE SCHEMA RAPPRESENTA UNA MACCHINA SPERTA
LE SCHEMA REPRESENTE UNE MACHINE DEBRANDHEE
THIS DIAGRAM REPRESENTS A SWITCHED-OFF APPLIANCE
CESER SCHALTPLAN STELLT EIN ABGESCHALTETES GERÄT DAR



S6 ALIMENTAZIONE PROGRAMMATEUR
TIMER POWER SUPPLY PROGRAMMSHALTWERKSVERSORGUNG

S7 RISCALDO RINSE
HEATING RINSE

S8 LAVAGGIO WASH
WASH