



400 lt -24 > -15°C

Evaporation grids full door with digital control

Code	Avv	Model	Type	Ref.	Brand	Page
110268	00	Z4FSF4UK	1DR(R)DIG.FREEZ+WHL 400L -15-24°-SS - UK	m	Zanussi	2-4-5
110269	00	Z4FSF4SUK	1DR(L)DIG.FREEZ+WHL 400L -15-24°-SS - UK	n	Zanussi	2-4-5
110274	00	Z4FSGGW	1-GLASS DOOR FREEZER,400LT-15-22°C,WHITE	o	Zanussi	3-4-5
110279	00	Z4FSFWG	1-DOOR FREEZER 400L -15°-24°C-WHITE-UK	p	Zanussi	2-4-5
110282	00	Z4FSF4	1-DOOR FREEZER 400 LT -15°-24°C-S/S	q	Zanussi	2-4-5
110288	00	Z4FSFW	1-DOOR FREEZER 400 LT -15°-24°C-WHITE	r	Zanussi	2-4-5
190854	00	Z4FSF4	1-DOOR FREEZER 400 LT -15°-24°C-S/S	a3	Zanussi	2-4-5
729022	00	A4FSF4UK	1DR(R)DIG.FREEZ+WHL 400L -15-24°-SS-UK	s	Alpen	2-4-5
729023	00	A4FSF4SUK	1DR(L)DIG.FREEZ+WHL 400L -15-24°-SS-UK	t	Alpen	2-4-5
729027	00	A4FSGGW	1-GLASS DOOR FREEZER,400LT-15-22°C,WHITE	u	Alpen	3-4-5
729031	00	A4FSFWG	1-DOOR FREEZER 400L -15°-24°C-WHITE-UK	v	Alpen	2-4-5
729033	00	A4FSF4	1-DOOR FREEZER 400 LT -15°-24°C-S/S	w	Alpen	2-4-5
729037	00	A4FSFW	1-DOOR FREEZER 400 LT -15°-24°C-WHITE	x	Alpen	2-4-5
730019	01	RM04FSF4	1-DOOR FREEZER 400 LT -15°-24°C-S/S, DIG. A430	c	Metro	2-4-5
730021	01	RM04FSFW	1-DOOR FREEZER 400 LT -15°-24°, WHITE DIG.	b	Metro	2-4-5
730022	17	RM04FSGGW	1-GLASS DOOR FREEZER -15°/-22°C, WHITE	d	Metro	3-4-5
730024	16	R04FSF4GK	1-DOOR DX FREEZ. 400 LT -15°-24°C, S/S a430, UK + wheel castor	g	Electrolux	2-4-5
730025	16	R04FSF4SGK	1-DOOR SX FREEZ. 400 LT -15°-24°C, S/S a430, UK+ wheel castor	f	Electrolux	2-4-5
730043	00	R04FSF4UK	1-DOOR FREEZER 400 LT -15°-24°C, DIG. a430 UK + wheels	l	Electrolux	2-4-5
730102	21	R04FSF4M	1-DOOR FREEZER 400 LT -15°-24°C, S/S marine	e	Electrolux	2-4-5
730105	08	R04FSFW6	1-DOOR FREEZER 400L WHITE -15°-24°C, 60HZ	h	Electrolux	2-4-5
730159	17	R04FSGGW	1-GLASS FREEZER 400 LT -15°-24°C, WHITE	d	Electrolux	3-4-5
730187	23	R04FSFWG	1-DOOR FREEZER 400LT -15°-24°C,WHITE, UK	a	Electrolux	2-4-5
730189	23	R04FSF4	1-DOOR FREEZER 400 LT -15°-24°C, S/S A430	c	Electrolux	2-4-5
730193	22	R04FSFW	1-DOOR FREEZER 400 LT -15°-24°C,WHITE	b	Electrolux	2-4-5
730220	00	N4FSGGW	1-GLASS DOOR FREEZER,400LT-15-22°C,WHITE	y	OEM	3-4-5
730224	00	N4FSFWG	1-DOOR FREEZER 400L -15°-24°C-WHITE-UK	z	OEM	2-4-5
730226	00	N4FSF4	1-DOOR FREEZER 400 LT -15°-24°C-S/S	a1	OEM	2-4-5
730230	00	N4FSFW	1-DOOR FREEZER 400 LT -15°-24°C-WHITE	a2	OEM	2-4-5

NOTE

update code :

please refer the parameters list in web site in order to set thermoregulator.

Pag./Page

2,3,4,
5,

Indice

Esploso
Lista ricambi

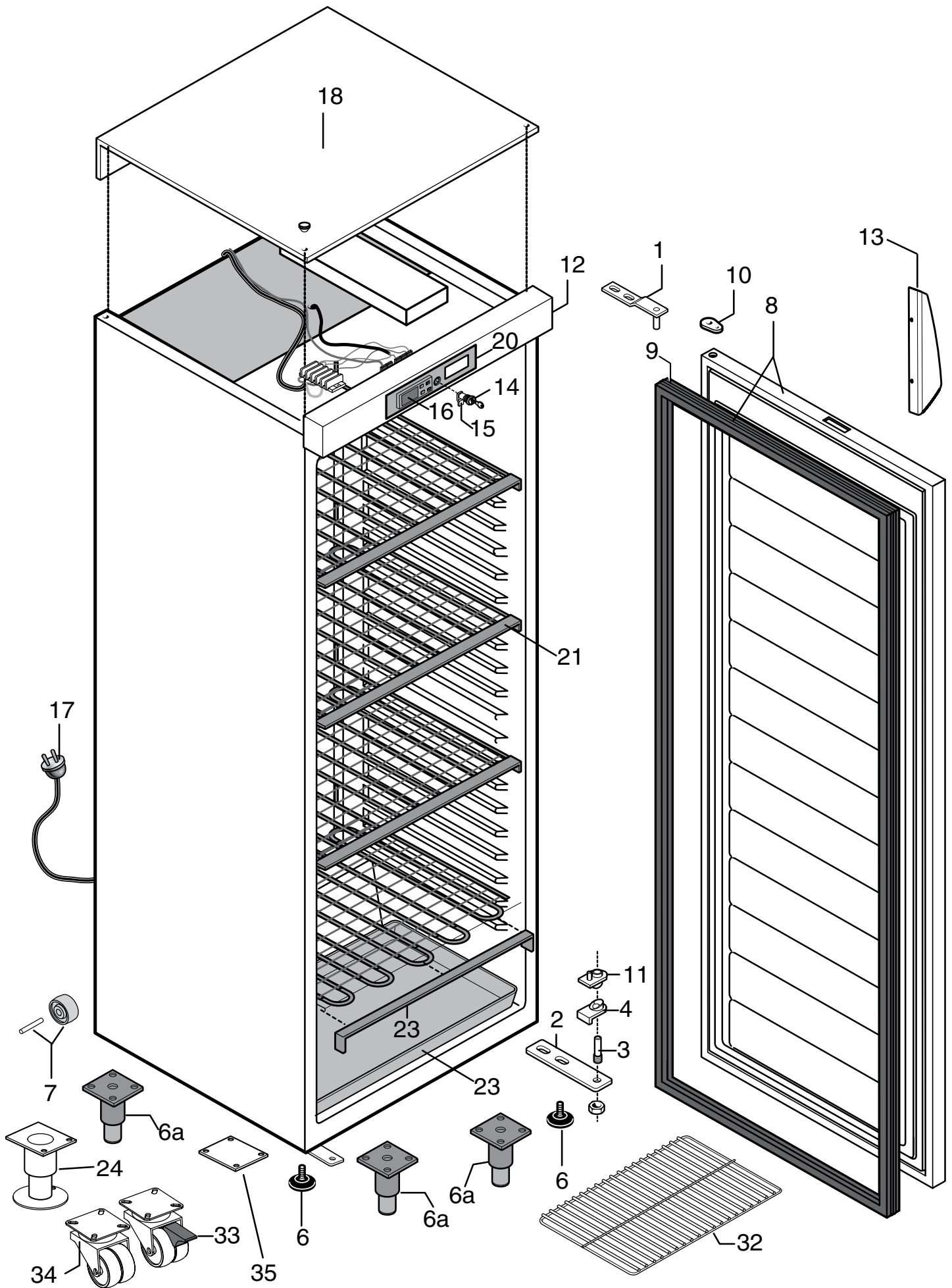
Index

Exploded view
Spare parts list

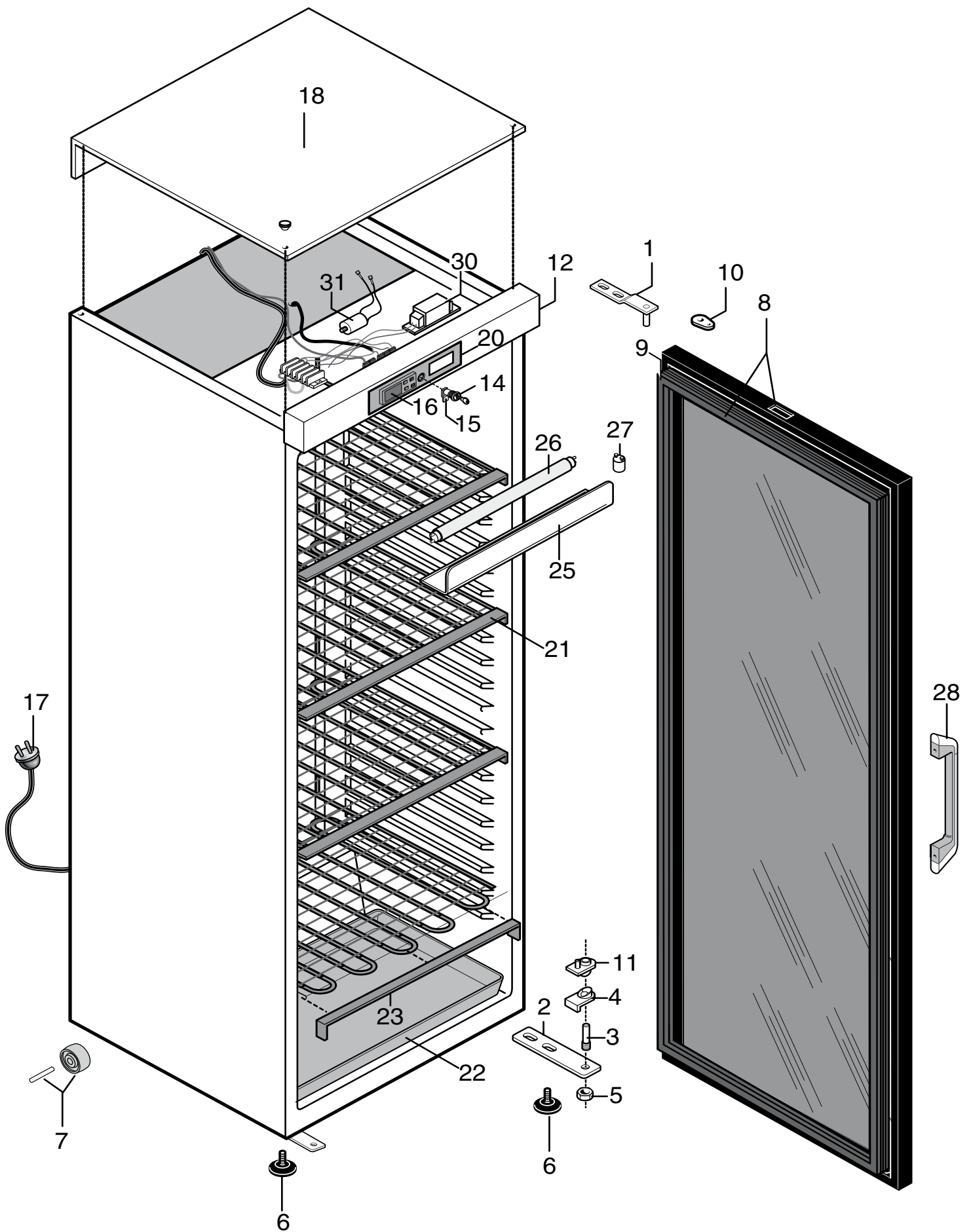
Marchio / Brand: Tutti / All

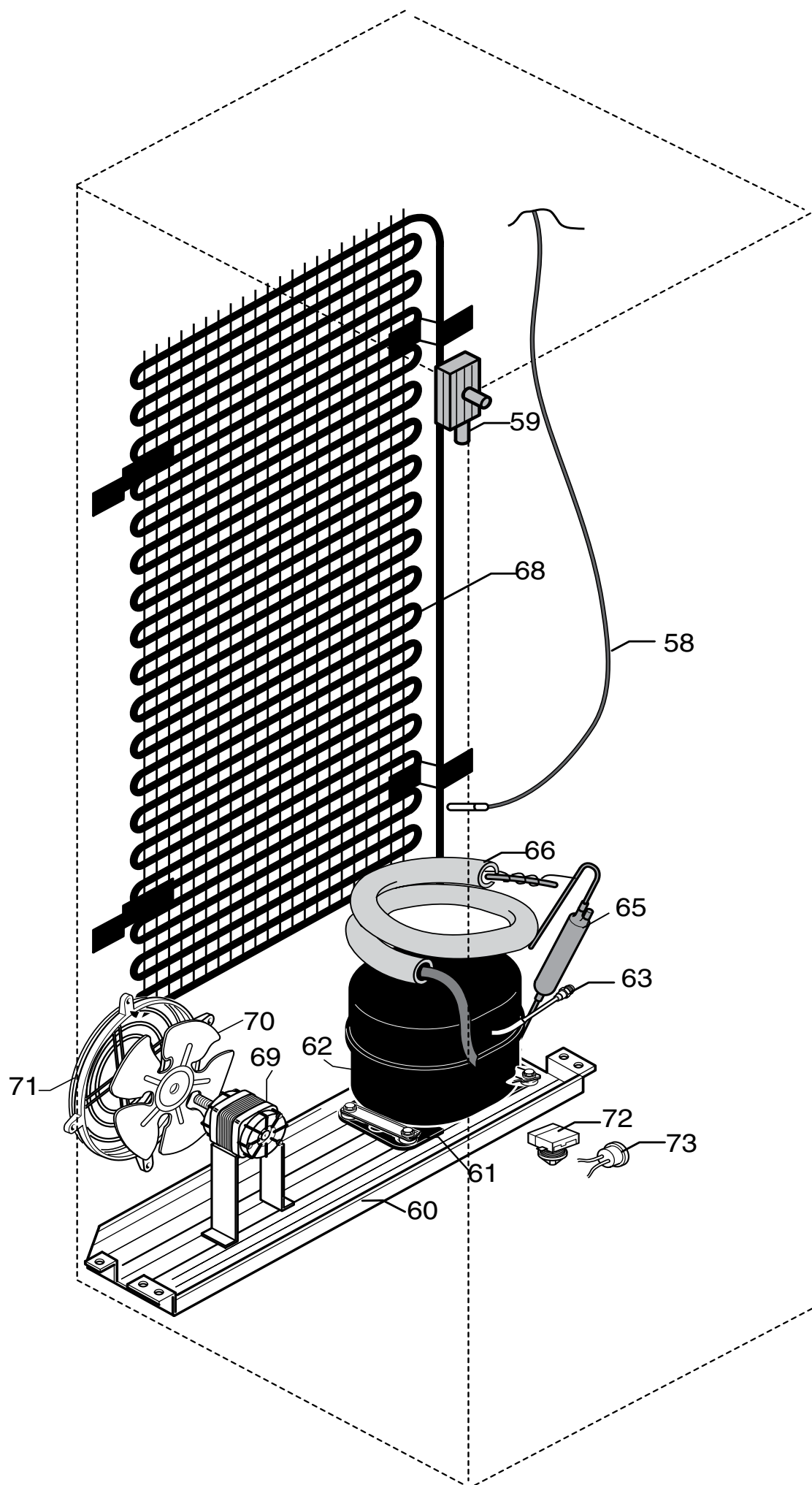
Paese / Country: Tutti / All

Rev.8



* Componenti disponibili a richiesta
 * Component available upon request





Pos	Code	Descrizione	Description	Ref. / Notes
		PAGINA 2-3	PAGE 2-3	
1	0A9548	Staffa superiore	Upper bracket	a,b,h,p,v,x,z,a2
1	0A9266	Staffa superiore	Upper bracket	c,e,f,g,l,m,n,q,s,t,w,a1,a3
1	099245	Staffa superiore	Upper bracket	d
2	0A9549	Staffa inferiore	Lower bracket	
*	094560	Piastra cerniera	Plate for hinge	
3	082962	Perno	Pin	
4	082964	Boccola inferiore	Lower bush	
5	091346	Dado	Nut	
6	083079	Piedino	Foot	a,b,d,h,o,p,r,u,v,x,y,z,a2
6a	089140	Piedino regolabile in altezza	Height-adjustable foot	c,a,w,a1
7	084211	Ruota DERBY	Wheel DERBY	a,b,d,h until 41.2016
*	095090	Ruota TENTE	Wheel TENTE	a,b,d,h,o,p,r,u,v,x,y,z,a2 from 42.2016
8	0A9541	Porta (white)manigli.schiu	Door (white)foamed handle	a,b,h,l until ser.3030100..
8	876719610	Porta (white) senza manig.	Door (white)external handle	a,b,h,l,p,r,v,x,z,a2 from ser.3040100.
8	085695	Porta (aisi 430) manigli.schiu.	Door (aisi 430) foamed handle	c,e,f,g,l until ser.3030100..
8	093796	Porta (aisi 430) senza manig.	Door (aisi 430) external handle	c,e,f,g,l,m,n,q,s,t,w,a1,a3 from ser.3040100.. up to ser 4491
8	094548	Porta (aisi 430) senza manig.	Door (aisi 430) external handle	c,e,f,g,l,m,n,q,s,t,w,a1,a3 from ser 4501
8	095489	Porta (aisi 430) senza manig.	Door (aisi 430) external handle	up to ser 5351 c,e,f,g,l,m,n,q,s,t,w,a1,a3 from ser 5361
8	0A9613	Porta Vetro	Glass door	d,o,u,y
9	085719	Guarnizione porta	Door gasket	a,b,c,e,f,g,h,l,m,n,p,q,r, s,t,v,w,x,z,a1,a2,a3
9	094399	Guarnizione porta	Door gasket	a,b,c,e,f,g,h,l,m,n,p,q,r, s,t,v,w,x,z,a1,a2,a3
9	092268	Guarnizione porta	Door gasket	d,o,u,y
10	0A9096	Boccola per staffa	Bush	
11	0A9092	Boccola elicoidale	Upper bush with pin	a,b,c,e,f,g,h,l,m,n,p,q,r, s,t,v,w,x,z,a1,a2,a3
11	082965	Boccola elicoidale	Upper bush with pin	d,o,u,y
12	092266	Cruscotto con serratura	Control panel + lock	a,b,d,h up to 4491
12	850R17801	Cruscotto	Control panel	a,b,d,h from 4501 up to 7381 except for y,z,a1,a2
12	095462	Cruscotto	Control panel	a,b,d,o,p,r,u,v,x from 7391
12	092269	Cruscotto con serratura	Control panel + lock	c,e,f,g,l up to 4491
12	850R17601	Cruscotto	Control panel	c,e,f,g,l from 4501 up to 7381 except for a1
12	095461	Cruscotto	Control panel	c,f,g,m,n,q,s,t,w,a3 from 7391
13	093797	Maniglia acciaio	Stainless steel handle	a,b,c,e,f,h,l,n,p,q,r, t,v,w,x,z,a1,a2,a3 from srN°.3040100..
14	0A8655	Serratura	Lock	
15	099623	Particolare per serratura	Lock accessory	
16	092255	Termoregolatore (by Carel)	Termoregulator (by Carel)	to be set
17	0C2193	Cavo alimentazione	Power supply cable	a,p,v,z f,g,m,n,s,t from 6071

Pos	Code	Descrizione	Description	Ref. / Notes
17	099991	Cavo alimentazione	Power supply cable	h from 5241 b,c,d,e,o,q,r,u,w,x,y,a1,a2,a3 f,g,m,s up to 6061 h up to 5231
18	092249	Coperchio superiore bianco	Top panel white	a,b,d,h,o,p,r,u,v,x,y,z,a2
18	092253	Coperchio superiore	Top panel	c,e,f,g,l,m,n,q,s,t,w,a1,a3
20	092247	Adesivo per cruscotto	Stiker to brand	Up to 7381 except for OEM products
20	095504	Membrana Zanussi	Zanussi membrane	For Zanussi products from 7391
20	095505	Membrana Electrolux	Electrolux membrane	For Electrolux products from 7391
20	095506	Membrana Alpeninox	Alpeninox membrane	For Alpeninox products from 7391
21	085722	Griglie evaporanti	Evaporation Grids	
22	0A8675	Bacinella	Basin	l
23	0A9610	Bordino per griglia	Protection grid	
24	090000	Piedino marina	Foot (Marin)	e
25	095002	Schermo lampada	Light protection	d,o,u,y
26	0A9198	Neon	Neon	d,o,u,y
27	0A9199	Starter	Starter	d,o,u,y
28	087437	Maniglia	Handle	d,o,u,y
29	083042	Interuttore	switth	d,o,u,y
30	0A9200	Reattore	Ballast	d,o,u,y
31	092257	Filtro	Electric filter	d,o,u,y
*	084384	Molle per neon	Neon spring	d,o,u,y
32	0A8650	Griglia	Shelf	f,g,l,m,n,s,t
33	087110	Ruota con freno	Wheel Castor with brake	f,g,l,m,n,s,t
34	087111	Ruota senza freno	Wheel Castor without brake	f,g,l,m,n,s,t
35	095163	Distanziale in PVC per ruote	Spacer PVC for wheels	f,g,l,m,n,s,t 100x80x2 mm
*	088602	Protezione sonda	Protection probe	
58	092174	Sonda Cella (blu)	Cell Probe (blue)	
59	085523	Valvola di compensazione	Compensation valve (door)	
60	091977	Traversa supporto compress.	Compressor support	
61	087122	Dispositivo fiss.Compressore	Compressor fixing	
62	093233	Compressore NEK2168GK	Compressor NEK2168GK	l,q
62	099225	Compressore MP14FG 60hz	Compressor MP14FG 60HZ	e
62	093500	Compressore NEK2150GK	Compressor NEK2150GK	h,a3
63	0A8171	Valvolina di ricarica comp.	Discharge /charge valve compressor	
65	084078	Filtro deidratore	Dehidrator filter	
66	085706	Assieme scambiatore	Heating Exchanger MP14FB	
66	093234	Assieme scambiatore	Heating Exchanger NEK2168GK	
68	085721	Condensatore a fili	Condenser	
69	085674	Ventilatore compressore	Ventilator for compressor	
70	089696	Ventola	Fan	
70	084041	Ventola	Fan	e,h,a3
71	091602	Griglia ventilatore	Protection fan	
72	*	Relè d'avviamento MP14FB	Start relays MP14FB	
73	*	Protettore MP14FB	Protector MP14FB	