

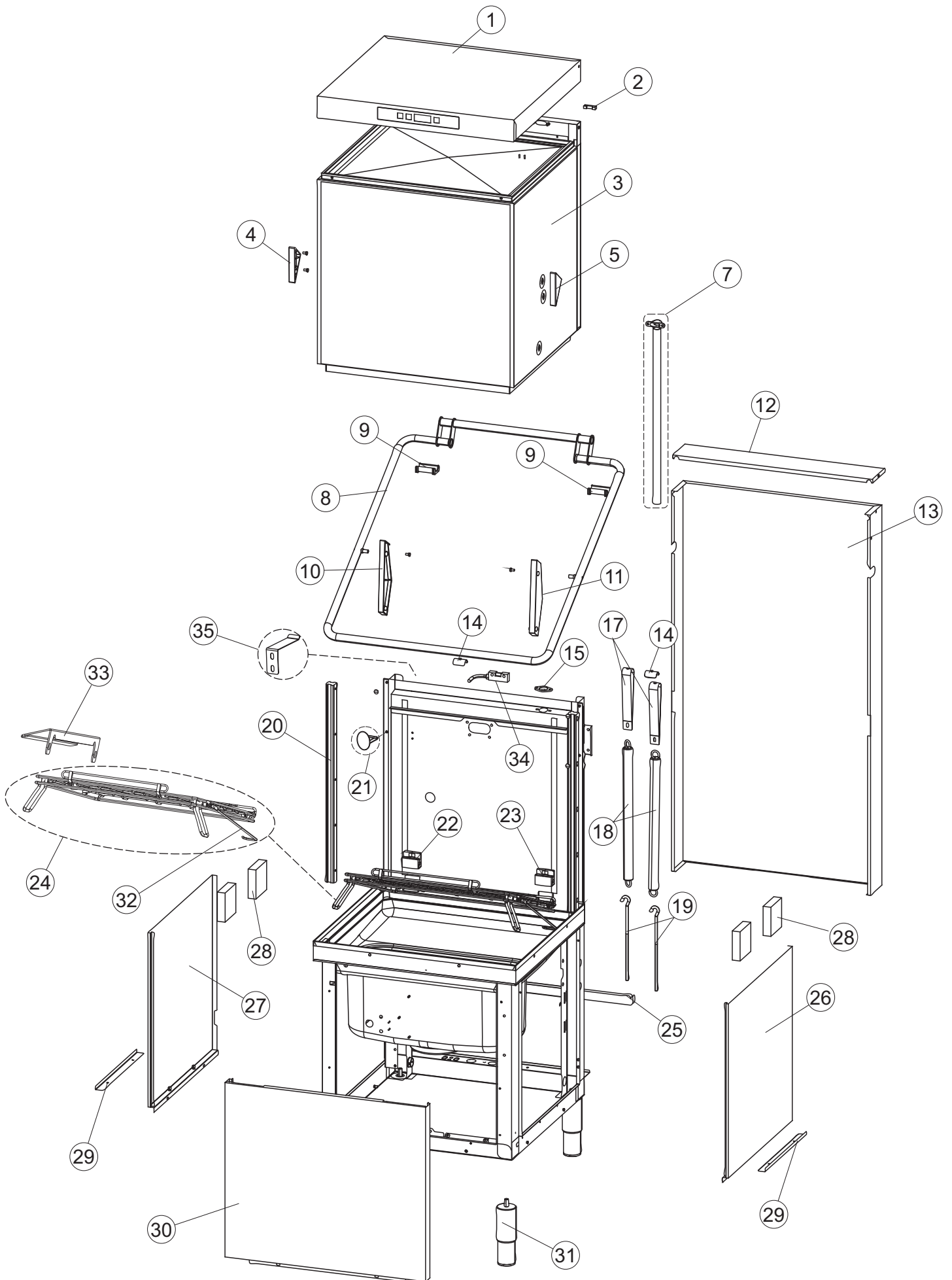
ELETTROBAR

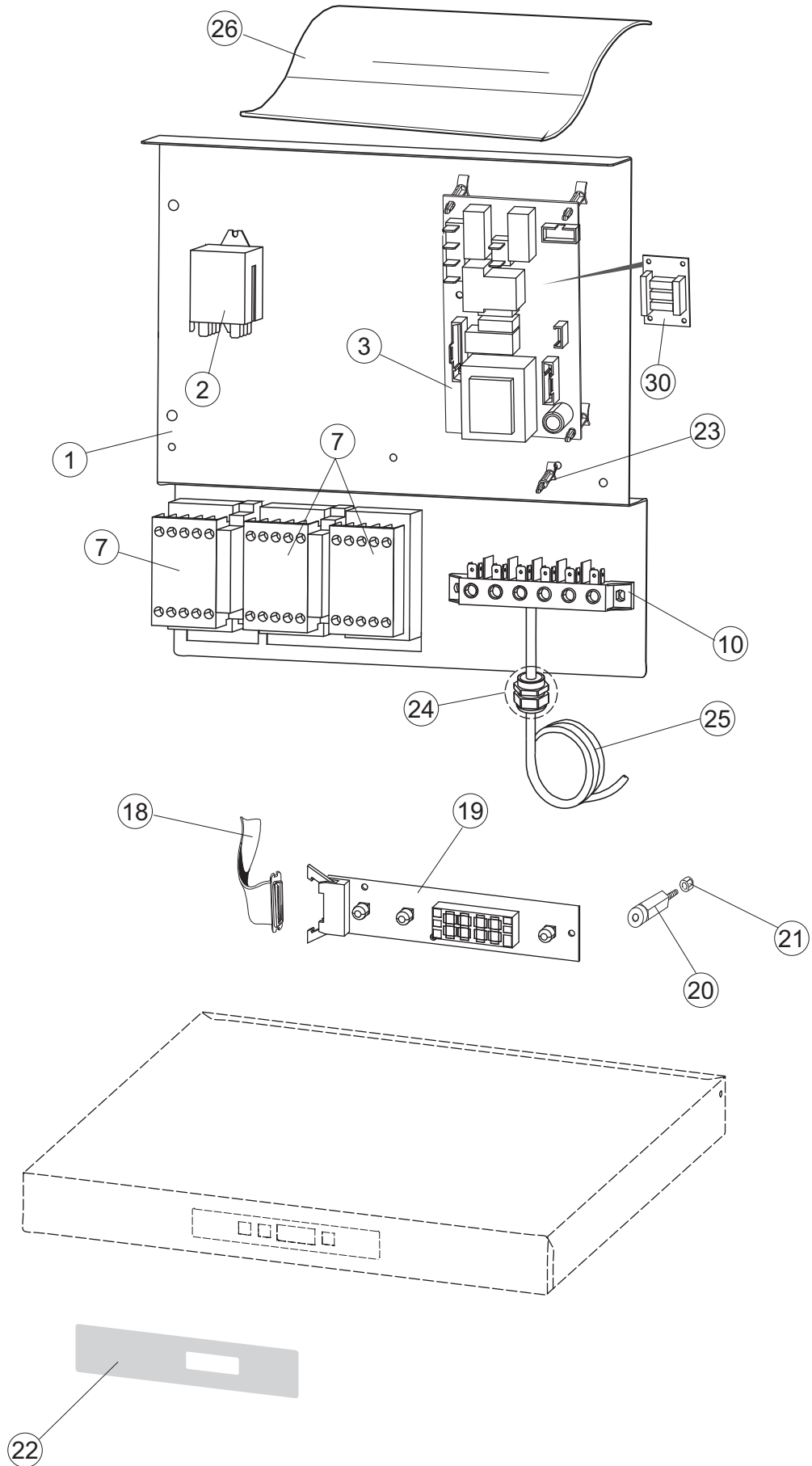
**SPARE PARTS CATALOGUE
ERSATZTEILKATALOG
CATALOGUE PIECES DETACHEES
CATALOGO PARTI RICAMBIO
CATALOGO DE PIEZAS DE RECAMBIO
CATALOGO PEÇAS DE REPOSIÇÃO**

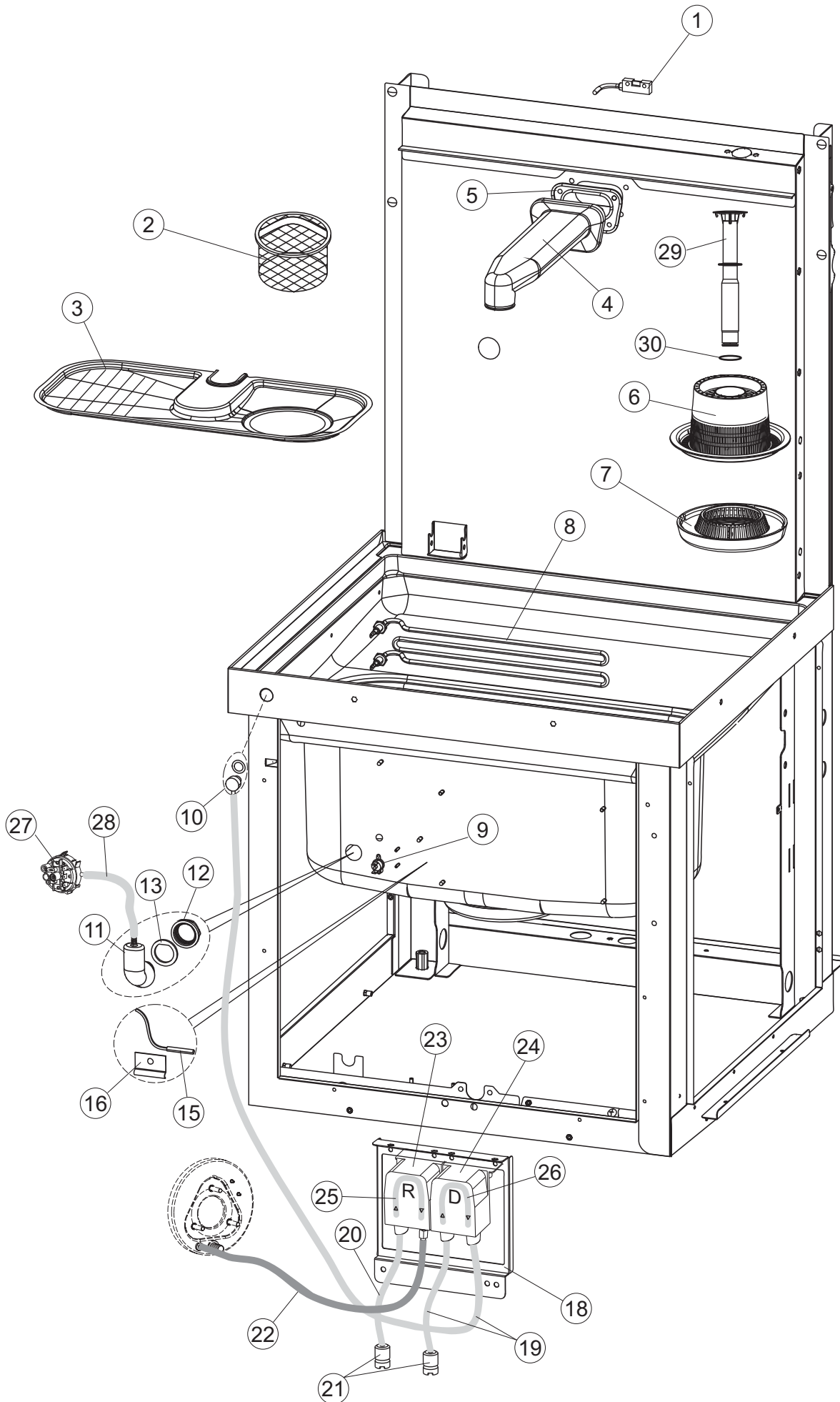
Niagara 283L-2

29-10-2012

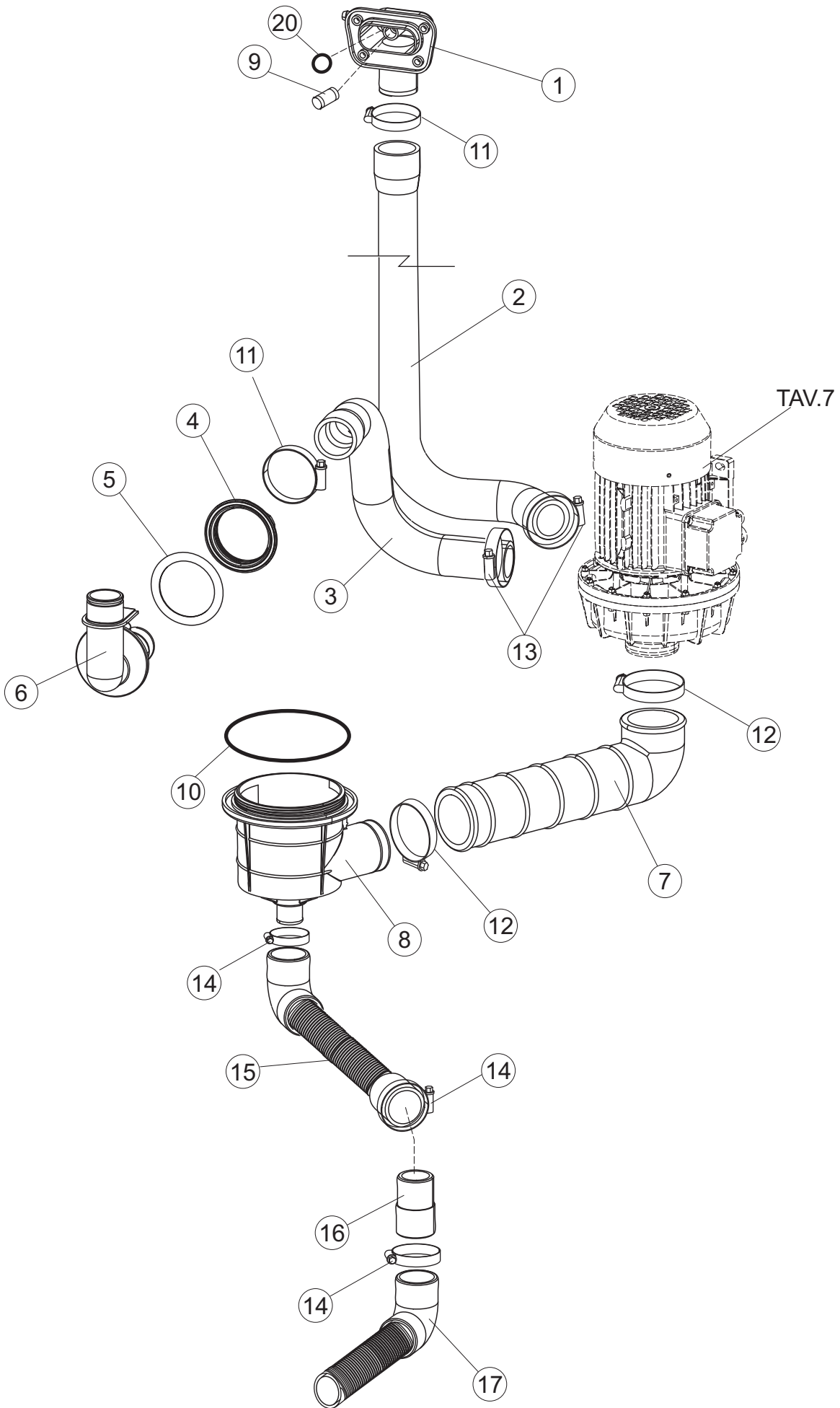
1



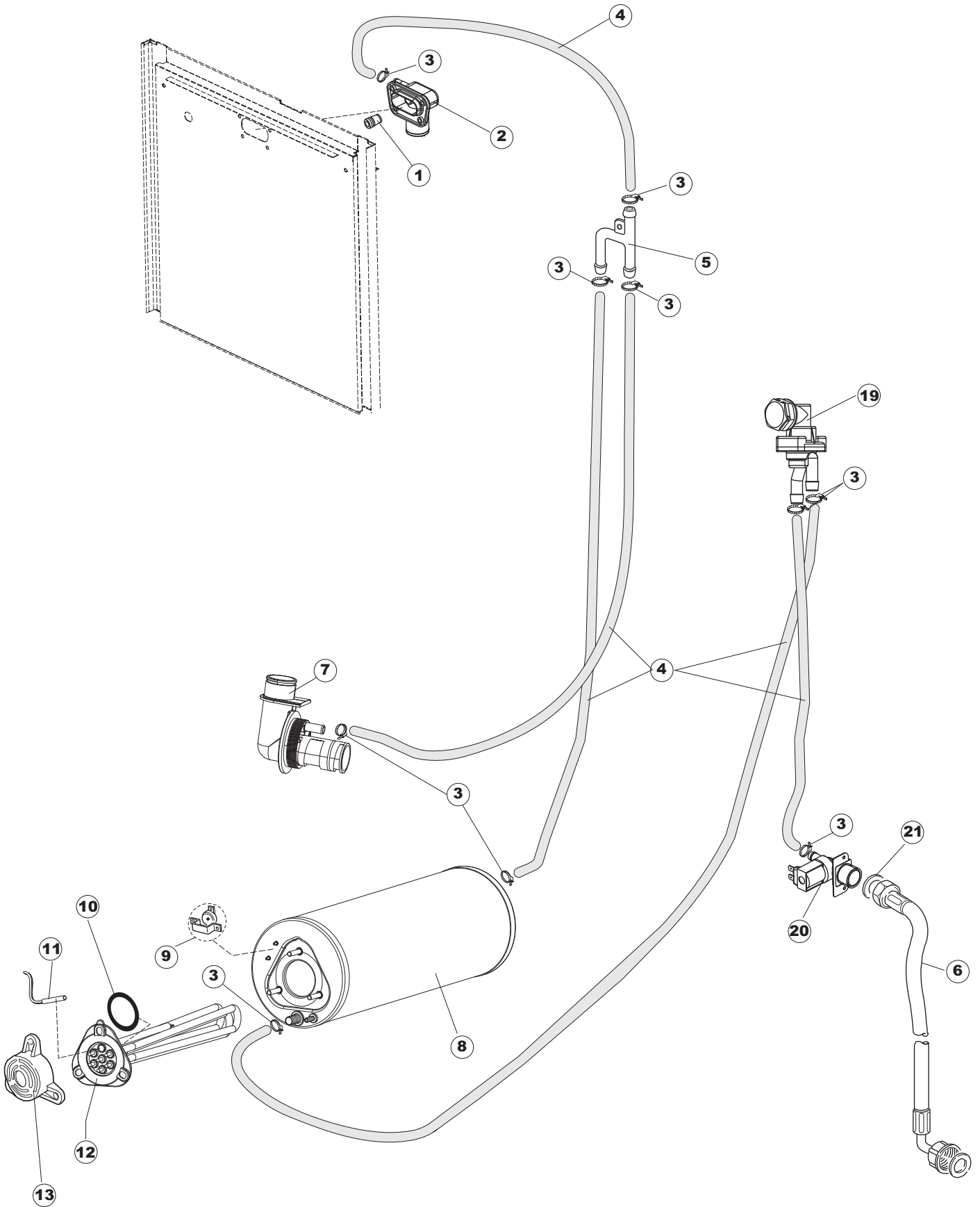




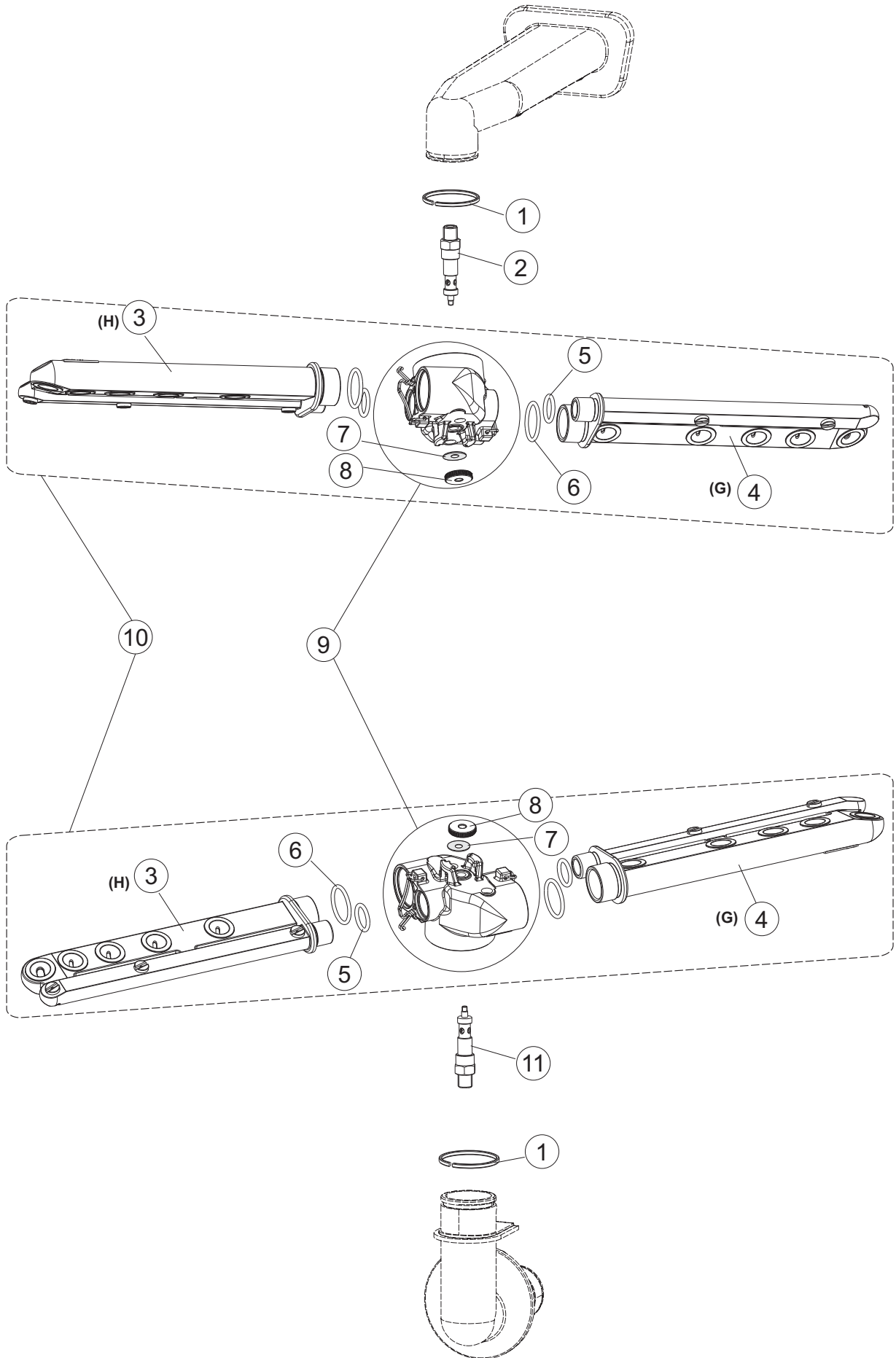
4

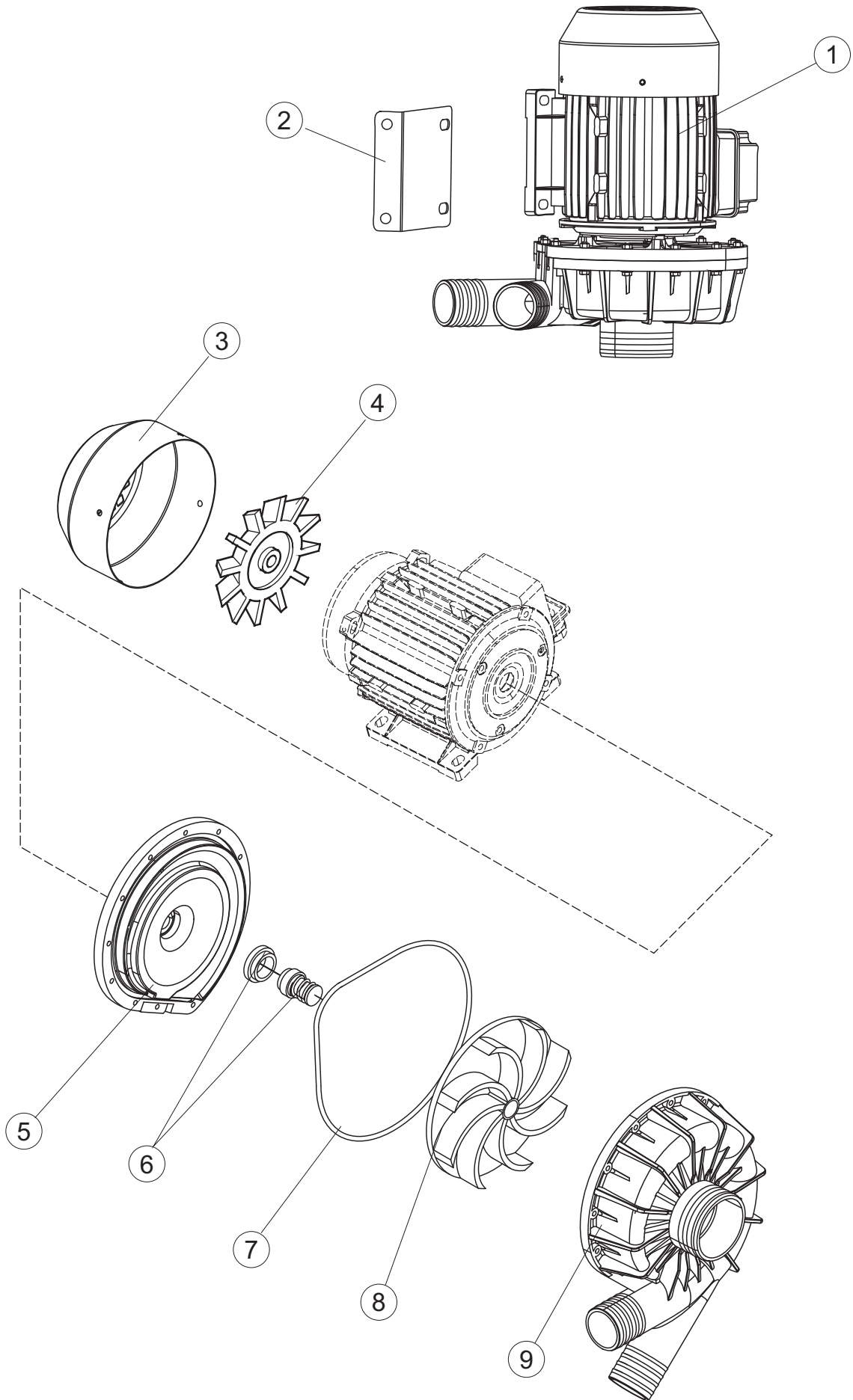


5



6





| Seite | Position | Code | Alter Code | Beschreibung | | |
|-------|----------|----------|------------|---|--|--|
| 1 | 1 | 70441 | | NICHT IN DER PREIS LISTE | | |
| 1 | 2 | 927088 | CWM7 | MAGNETE PER MICROINTERRUPTORE | | |
| 1 | 3 | 70339 | | CAPPA COIBENTATA COMPLETA | | |
| 1 | 4 | 70210 | | FERMO LEVA DX CAPPA (RAL5015) | | |
| 1 | 5 | 70211 | | FERMO LEVA SX CAPPA (RAL5015) | | |
| 1 | 7 | 70094 | | ROHR | | |
| 1 | 8 | 70120 | | NICHT IN DER PREIS LISTE | | |
| 1 | 9 | 70192 | | UNTERSTÜTZUNG | | |
| 1 | 10 | 70208 | | LEVA SX CAPPA (RAL7040) | | |
| 1 | 11 | 70209 | | LEVA DX CAPPA (RAL7040) | | |
| 1 | 12 | 70324 | | PANNELLO POSTERIORE SUPERIORE | | |
| 1 | 13 | 70163 | | PANNELLO POSTERIORE SKIN_PLATE | | |
| 1 | 14 | 70277 | | KUPPLUNGSFEDERN SCHUH | | |
| 1 | 15 | 70092 | | FLANSCH | | |
| 1 | 17 | 70031 | | HAKEN FEDERN | | |
| 1 | 18 | 926108 | CMT520 | SPANNFEDER HAUBE f5.5 121/.. | | |
| 1 | 19 | 926009 | DAG332 | HAKEN, FEDERREGUL. 100/120/140 | | |
| 1 | 20 | K70365 | | NICHT IN DER PREIS LISTE | | |
| 1 | 21 | 70998 | | DISTANZ | | |
| 1 | 22 | 70036 | | LINKS-UNTERSTÜTZUNG | | |
| 1 | 23 | 70035 | | RICHTIGE UNTERSTÜTZUNG | | |
| 1 | 24 | 70255 | | RAHMEN | | |
| 1 | 25 | 70019 | | TRAVE TIRANTE MOLLE | | |
| 1 | 26 | 70072 | | RECHTE SEITENWAND | | |
| 1 | 27 | 70071 | | LINKEN SEITENWAND | | |
| 1 | 28 | 41042 | C.41042 | KLEBENPER SCHLEGER | | |
| 1 | 29 | 80078 | C.80078 | BEF.WINKEL, UNTERABLAGEFL.GOLD PG MASCHINENFERTIG | | |
| 1 | 30 | 70379 | | NICHT IN DER PREIS LISTE | | |
| 1 | 31 | 73100 | | FUESS | | |
| 1 | 32 | 70265 | | ZAPFEN | | |
| 1 | 33 | 70250 | | SEITENTÜR KÖRBE | | |
| 1 | 34 | 80871 | | TUERKONTAKTSCHALTER | | |
| 1 | 35 | 70300 | | HALTERUNG NEUTRALEN GRIFF | | |
| 2 | 1 | 70459 | | PANEL SCHALTKASTEN | | |
| 2 | 2 | 929115 | DER1108 | RELE 16A 230V 62.82 | | |
| 2 | 3 | 215034-1 | | KARTE | | |
| 2 | 7 | 73350 | | KONTAKT-GEBER 230-50/60HZ | | |
| 2 | 10 | 220011 | REB220011 | * KLEMMENBRETT, 5-POLIG + ERDUNG FV.122 | | |
| 2 | 18 | 80933 | | FLACHKABEL | | |
| 2 | 19 | 80944 | | BEDINGUNGEN-TESTENBRETT | | |
| 2 | 20 | 419036 | | ABSTANDSSTÜCK, M3 | | |
| 2 | 21 | 417119 | | SCHRAUBENMUTTER, M3 KUNST. WEISS | | |
| 2 | 22 | 70704 | | MASKE POLYESTERE | | |
| 2 | 23 | CWP2 | | STÜTZFÜSSE FÜR PLATINE (ART.DRA6A) | | |
| 2 | 24 | DEP521 | | KABELSCHELLE PG21 (BER 4721) | | |
| 2 | 25 | 69803 | | ELEKTRISCH KABEL | | |
| 2 | 26 | 80731 | | VORHANG, PVC EL.SCHUTZ KOMPL. | | |
| 2 | 30 | 215036 | | KARTE | | |
| 3 | 1 | 80871 | | TUERKONTAKTSCHALTER | | |
| 3 | 2 | 80159 | C.80159 | KORB, TANKFILTER RIVER 82/83 | | |
| 3 | 3 | 70153 | | FILTRO PLASTICA | | |
| 3 | 4 | 69017 | | ZULAULEITUNG | | |

| | | | | | | |
|---|----|--------------|-----------|---|--|--|
| 3 | 5 | 80178 | C.80178 | DICHTUNG | | |
| 3 | 6 | 121120 | | SIEB | | |
| 3 | 7 | 429072 | | ZWINGE | | |
| 3 | 8 | 70562 | | TANK WIEDERSTAND | | |
| 3 | 9 | 926189 | DRT140 | TERMOSTATO BOILER SIC.95° | | |
| 3 | 10 | 468151 | DZR150NT | TANKEINLAUF CPL NM* | | |
| 3 | 11 | 107012 | | LUFTFALLE | | |
| 3 | 12 | 417120 | | KUNSTSTOFFMUTTER 1-1/4 | | |
| 3 | 13 | 437098 | | DICHTUNG FUER LUFTFALLE | | |
| 3 | 15 | 231016 | | TEMPERATURSONDE | | |
| 3 | 16 | H.775489-001 | | KLIPP FÜR TEMP.FÜHLER D5 | | |
| 3 | 18 | 80675 | | TRAGBUEGEL | | |
| 3 | 19 | 143194 | REB143194 | SCHLAUCH 4X6 CRISTAL, DURCHS. | | |
| 3 | 20 | H.775601 | | ROHR 4x6 CRISTAL BLAU PVC | | |
| 3 | 21 | 121993 | | FILTERANORDNUNG | | |
| 3 | 22 | 143005 | SPG10 | SCHLAUCH TP 5X11 (CASER/15/NL C4N) | | |
| 3 | 23 | 209033 | | PERISTALTISCHES DOSIERGERAET | | |
| 3 | 24 | 209028 | | PERISTAKTISCHES DOSIERGERAET REINIGER P/FISSA | | |
| 3 | 25 | 143261 | | MEMBRANSCHLAUCH | | |
| 3 | 26 | 143258 | | MEMBRANSCHLAUCH SANTOPREN | | |
| 3 | 27 | 224002 | REB224002 | PRESSURE SWITCH - 110/60 | | |
| 3 | 28 | 143131 | SPG47 | SCHLAUCH FUER DRUCKSCHALTER | | |
| 3 | 29 | 70355 | | UEBERLUAUFROHR | | |
| 3 | 30 | 70135 | | GUMMIDICHRING 4131 - SCHRAUBE - SCHWARZ SH.70 | | |
| 4 | 1 | 80174 | | VERBINDUNGSST., OB.SPÜL. AUSS.GOLD (NEUTR. FARBE) | | |
| 4 | 2 | 70020 | | TUBO MANDATA LAVAGGIO | | |
| 4 | 3 | 70021 | | ZUFHURUNGSMUFFE | | |
| 4 | 4 | 70473 | | GHIERA | | |
| 4 | 5 | 70476 | | GUARNIZIONE LAVAGGIO INFERIORE | | |
| 4 | 6 | 70475 | | CONDOTTO LAVAGGIO INF. COMPL. DI ANELLO | | |
| 4 | 7 | 80186 | C.80186 | MUFFE, ABSAUG.PUMPE RIVER | | |
| 4 | 8 | 70040 | | GUT ABTROPFEN LASSEN | | |
| 4 | 9 | 441009 | REB441009 | EINSATZ, DICHT. D10 SAMM.S621- | | |
| 4 | 10 | 456076 | | TORISCHE DICHTUNG D.I.135.9X5.33 | | |
| 4 | 11 | CFS1A | | SHELLE, SCHRAUBE TORRO W1/W2B 40-60/12 | | |
| 4 | 12 | CFS3 | | SHELLE, SCHRAUBE TORRO W2B 60-80/12 | | |
| 4 | 13 | CFS2 | | SHELLE, TORRO W1/W2B 50-70/12 | | |
| 4 | 14 | CFS1 | | SCHLAUCHSHELLE TORRO 35-50/9 | | |
| 4 | 15 | 70116 | | ABFLUSSSCHLAUCH | | |
| 4 | 16 | 70167 | | ABLAUFGARNITUR | | |
| 4 | 17 | 143252 | | ABLAUFLEITUNG | | |
| 4 | 20 | CGR3037 | | O-RING 3037 NITRILGUMMI 9,19X2,62 | | |
| 5 | 1 | 441009 | REB441009 | EINSATZ, DICHT. D10 SAMM.S621- | | |
| 5 | 2 | 80174 | | VERBINDUNGSST., OB.SPÜL. AUSS.GOLD (NEUTR. FARBE) | | |
| 5 | 3 | 927322 | CFS14 | FASCETTA NASTRO 12-22 | | |
| 5 | 4 | 143010 | SPG61 | ROHR, DRUCKSCHALTER TP 12X19.5 | | |
| 5 | 5 | 143268 | | Y-STUECK | | |
| 5 | 6 | 143170 | REB143170 | ZULAUFSCHLAUCH, WASSER 60.10.02.15 DVGW | | |
| 5 | 7 | 70475 | | CONDOTTO LAVAGGIO INF. COMPL. DI ANELLO | | |
| 5 | 8 | 104060 | | BOILER | | |
| 5 | 9 | 926189 | DRT140 | TERMOSTATO BOILER SIC.95° | | |
| 5 | 10 | 456002 | REB456002 | O-Ring 48x6,2 | | |
| 5 | 11 | 231016 | | TEMPERATURSONDE | | |
| 5 | 12 | 80398C | C.80398C | WIDERSTAND, B. 9500W 230V RIVER 82/83 | | |
| 5 | 13 | 69870 | | HEIZUNGSCHUETZ DES WARMWASSERBEREITERS | | |

| | | | | | | |
|---|----|----------|-------------|---|--|--|
| 5 | 19 | 144010NT | REB144010NT | RÜCKSCHLAGVORR. MIT ENTLÜFTUNG + KAPPE, ES. | | |
| 5 | 20 | 240016 | DEV3S16 | ZUFLUSSVENTIL 1-WEG 3/4 230V DROSS.16L | | |
| 5 | 21 | 437041 | REB437041 | DICHTUNG 3/4 GASVERSORG. | | |
| 6 | 1 | 80184 | | GLEIT UND DICHTUNGSRING | | |
| 6 | 2 | 80640 | | NACHSPUELARMSPINDEL | | |
| 6 | 3 | 106153 | | SPUEL/NACHSPUELARM E50 (8DUESEN) PARALLEL | | |
| 6 | 4 | 106152 | | SPUEL/NACHSPUELARM E50 (7 DUESEN) PARALLEL | | |
| 6 | 5 | 456070 | | OR D.I.15.54X2.62 ART.20886 | | |
| 6 | 6 | 456071 | | OR D.I.24X2.5 ART.34916 | | |
| 6 | 7 | 437100 | | DICHTUNG | | |
| 6 | 8 | 454006 | | ZAPFEN | | |
| 6 | 9 | 129068 | | CORPETTO COMPLETO X PETTINI PAR.D44 | | |
| 6 | 10 | 990113 | | GRUPPO LAV.RISC.BRACCI PARALLELI E50.. | | |
| 6 | 11 | 80641 | | PERNO RISCIAQUO INF. BR.PARALLELI | | |
| 7 | 1 | 70100 | | PUMPE | | |
| 7 | 2 | 70105 | | STAFFA POMPA LAVAGGIO | | |
| 7 | 3 | 70940 | | COPRIVENTOLA ELETTROPOMPA 4267.5050 | | |
| 7 | 4 | 70939 | | VENTOLA ELETTROPOMPA 4267.5050 | | |
| 7 | 5 | 70941 | | FLANGIA ELETTROPOMPA 4267.5050 | | |
| 7 | 6 | 70942 | | TENUTA MECCAN. ELETTROPOMPA 4267.5050 | | |
| 7 | 7 | 70943 | | O-RING ELETTROPOMPA 4267.5050 | | |
| 7 | 8 | 70944 | | GIRANTE ELETTROPOMPA 4267.5050 | | |