



400 lt +2 > 10°C

Ventilated Refrigerator full and glass door with digital control

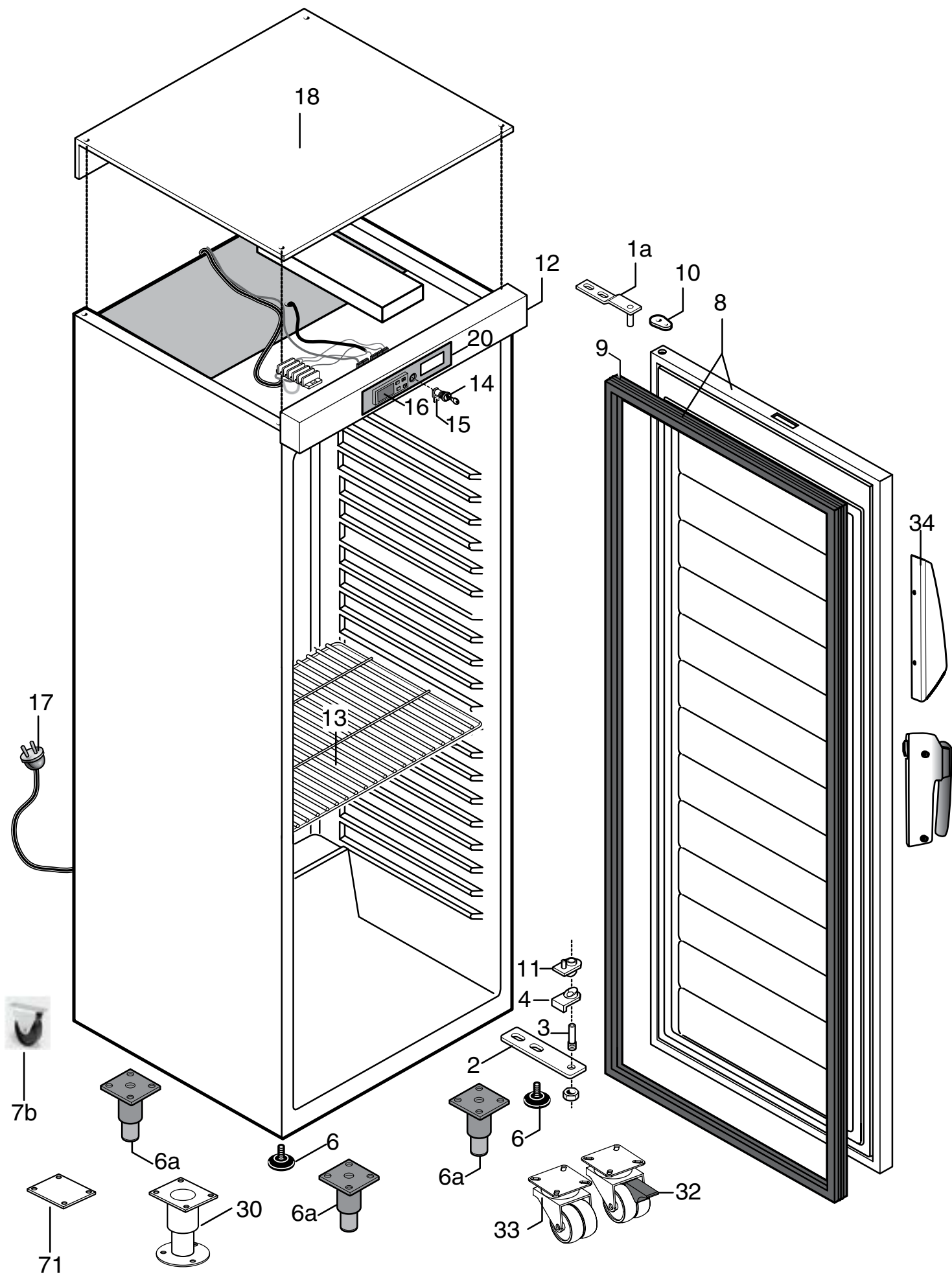
Code	Av.	Model	Type	Ref.	Brand	Page
110271	00	Z4PVF4UK	1DR(R)DIG.REFR+WHLS 400L 0°+10°C-SS - UK	a	ZAN	2-4
110272	00	Z4PVF4SUK	1DR(L)DIG.REFR+WHLS 400L 0°+10°C-SS - UK	b	ZAN	2-4
110273	00	Z4PVF4M	1-DOOR REFRIG. 400 LT 0°+10°C DIG. A430	c	ZAN	2-4
110278	00	Z4PVFWG	1-DOOR REFRIGER. 400 LT 0+10°C-WHITE-UK	d	ZAN	2-4
110281	00	Z4PVF4	1-DOOR REFRIGERATOR 400 LT 0+10°C-S/S	e	ZAN	2-4
110283	00	Z4PVG4	1-GLASS DOOR REFRIGER. 400 L 0+10°C-S/S	f	ZAN	3-4
110286	00	Z4PVFW	1-DOOR REFRIGERATOR 400 LT 0+10°C-WHITE	g	ZAN	2-4
110287	00	Z4PVGW	1-GLASS DOOR REFRIGER.400LT 0+10°C-WHITE	h	ZAN	3-4
190853	00	Z4PVG4	1-GLASS DOOR REFRIGER. 400 L 0+10°C-S/S	x	ZAN	3-4
190856	00	Z4PVF4	1-DOOR REFRIGERATOR 400 LT 0+10°C-S/S	w	ZAN	2-4
729024	00	A4PVF4UK	1DR(R)DIG.REFR+WHLS 400L 0°+10°C-SS-UK	i	ALPEN	2-4
729025	00	A4PVF4SUK	1DR(L)DIG.REFR+WHLS 400L 0°+10°C-SS-UK	l	ALPEN	2-4
729026	00	A4PVF4M	1-DOOR REFRIG. 400 LT 0°+10°C DIG. A430	m	ALPEN	2-4
729030	00	A4PVFWG	1-DOOR REFRIGER. 400 LT 0+10°C-WHITE-UK	n	ALPEN	2-4
729032	00	A4PVF4	1-DOOR REFRIGERATOR 400 LT 0+10°C-S/S	o	ALPEN	2-4
729034	00	A4PVG4	1-GLASS DOOR REFRIGER. 400 L 0+10°C-S/S	p	ALPEN	3-4
729035	00	A4PVFW	1-DOOR REFRIGERATOR 400 LT 0+10°C-WHITE	q	ALPEN	2-4
729036	00	A4PVGW	1-GLASS DOOR REFRIGER.400LT 0+10°C-WHITE	r	ALPEN	3-4
730223	00	N4PVFWG	1-DOOR REFRIGER. 400 LT 0+10°C-WHITE-UK	s	OEM	2-4
730225	00	NR04PVF4	1-DOOR REFRIGERATOR 400 LT 0+10°C-S/S	t	OEM	2-4
730227	00	N4PVG4	1-GLASS DOOR REFRIGER. 400 L 0+10°C-S/S	u	OEM	3-4
730228	00	N4PVFW	1-DOOR REFRIGERATOR 400 LT 0+10°C-WHITE	v	OEM	2-4
730229	00	N4PVGW	1-GLASS DOOR REFRIGER.400LT 0+10°C-WHITE	z	OEM	3-4

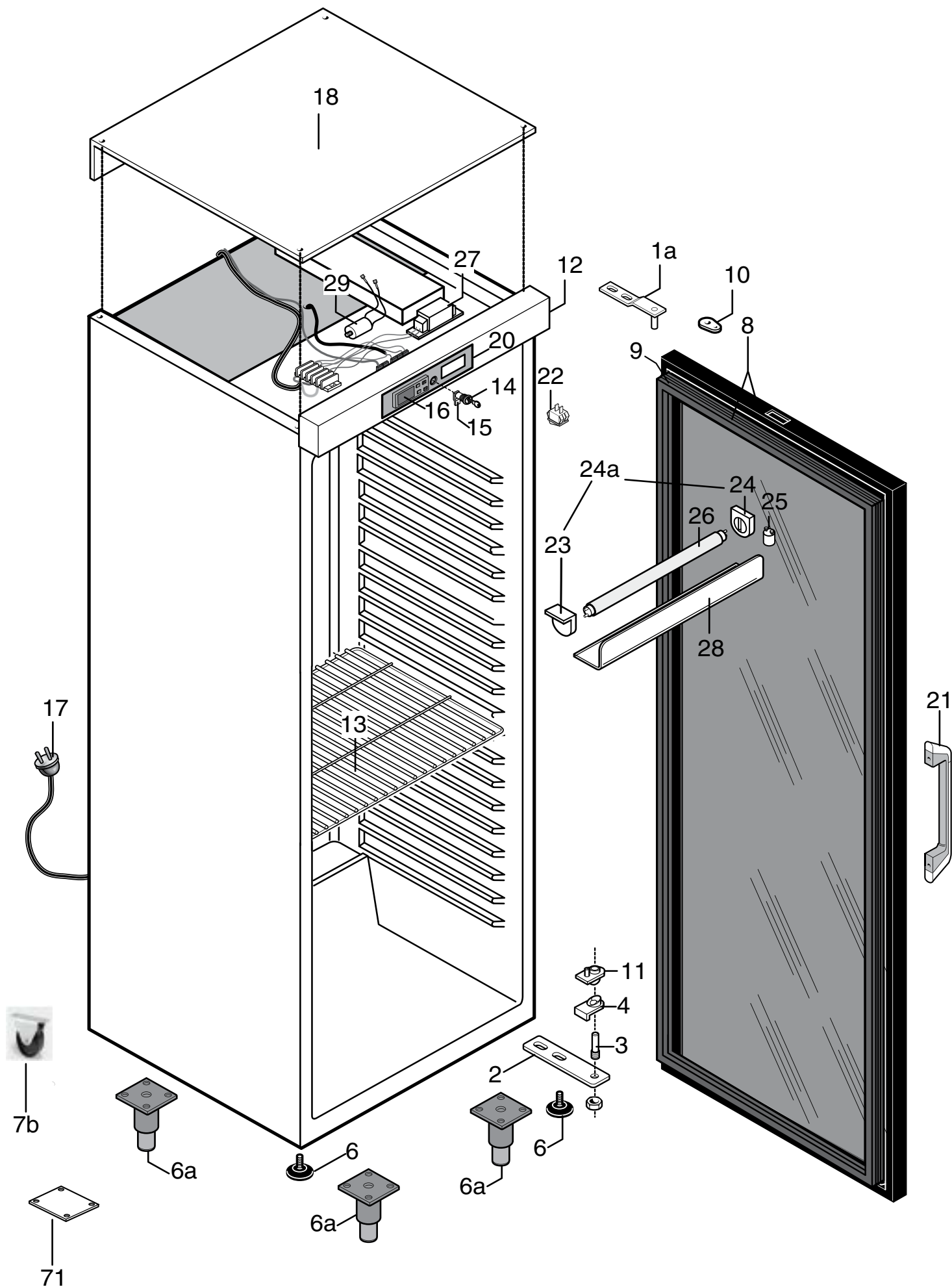
NOTE

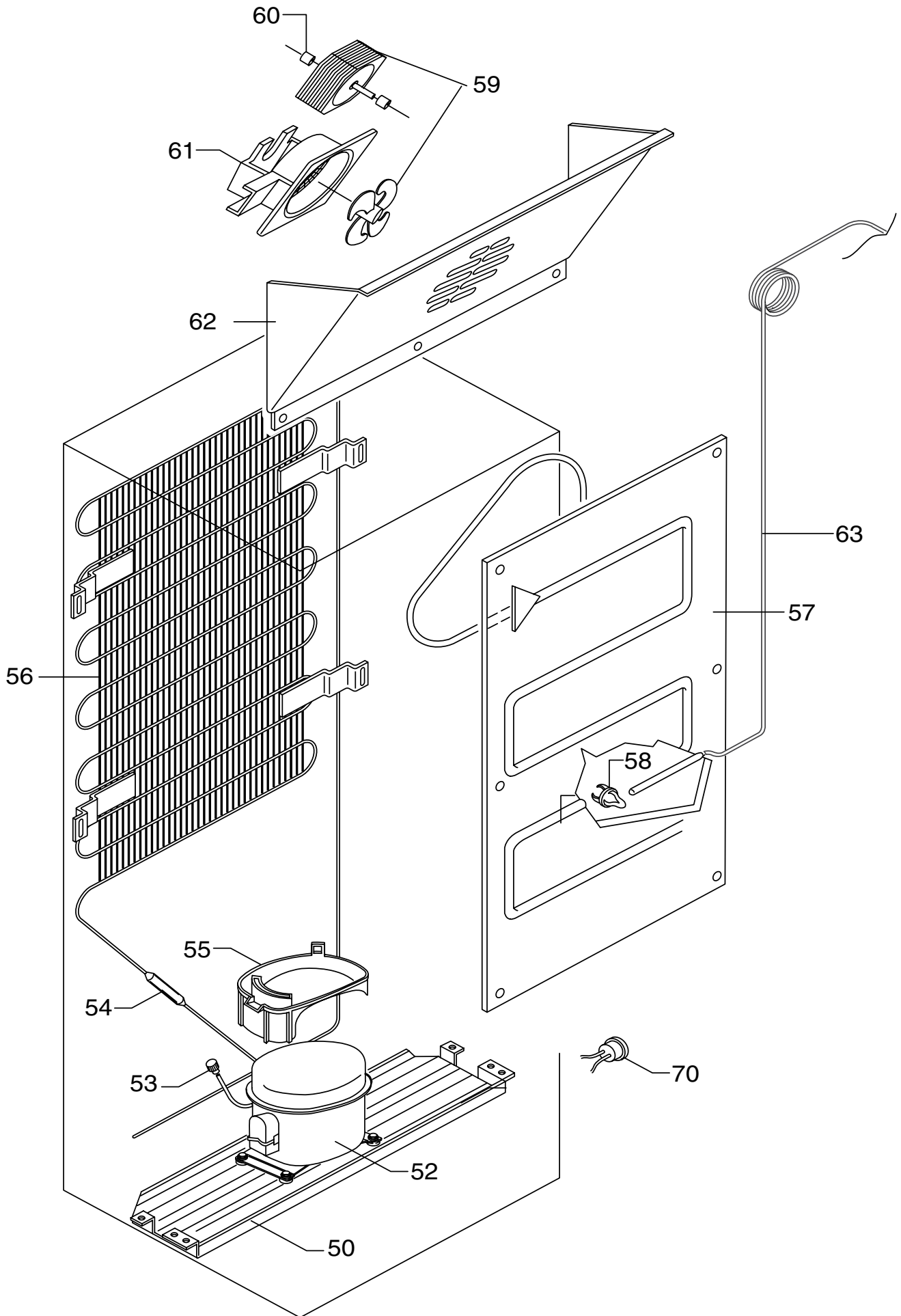
update code: please, refer to the parameters list in web site in order to set thermoregulator

Rev.2	Pag./Page	Indice	Index
	2,3,4 5,	Esploso Lista ricambi	Exploded view Spare parts list

Marchio / Brand: ZA-ALPEN-OEM
Paese / Country: Tutti / All







Pos Code	Descrizione	Description	Ref. / Notes	
	PAGINA 2-3	PAGE 2-3		
1a	0A9266	Staffa superiore	Upper bracket	a,b,c,d,e,g,i,l,m,n,o,q,s,t,v,
1a	084148	Staffa superiore	Upper bracket	f,h,p,r,u,x,z
2	0A9549	Staffa inferiore	Lower bracket	g,h,q,r,v,z
*	094560	Piastra cerniera	Plate for hinge	a,b,c,e,h,i,l,m,o,r,t,z
3	082962	Perno	Pin	a,b,c,d,e,f,g,h,i,l,m,n,o,p,q,r, s,t,u,v,x,z
4	082964	Boccola con perno inferiore	Lower bush with pin	a,b,c,d,e,f,g,h,i,l,m,n,o,p,q,r, s,t,u,v,x,z
6	083079	Piedino	Foot	d,g,n,q,s,v
6a	089140	Piedino	Foot	e,f,h,o,p,r,t,u,x,z
7b	095090	Ruota TENTE	Wheel TENTE	d,g,n,q,s,v
8	094549	PVB bianco con guarnizione	Door white with gasket	d,g,n,q,s,v
8	094548	Porta con new guarni. e manigl.	Door whit new gasket and handle	a,b,c,e,i,l,m,o,t
8	092685	Porta vetro grigia	Glass door grey	f,h,p,r,u,x,z
9	094399	Guarnizione porta	Door gasket	standard for all model excluded the glass door to set by pull
9	092268	Guarnizione porta vetro	Door gasket glass	f,h,p,r,u,x,z
10	0A9096	Boccola per staffa	Bush	a,b,c,d,e,g,i,l,m,n,o,q,s,t,v
11	0A9092	Boccola elicoidale	Upper bush with pin	a,b,c,d,e,g,i,l,m,n,o,q,s,t,v
11	082965	Boccola elicoidale	Upper bush with pin	f,h,p,r,u,x,z
12	095462	Cruscotto	Control panel	d,g,h,n,q,r
12	095461	Cruscotto	Control panel	a,b,c,e,f,i,l,m,o,p,x
12	850R17801	Cruscotto	Control panel	s,v,z
12	850R17601	Cruscotto	Control panel	t,u
13	0A8650	Griglia rilsan bianca	White grate	a,b,c,d,e,f,g,h,i,l,m,n,o,p,q,r, s,t,u,v,x,z
14	0A8655	Serratura	Lock	a,b,c,d,e,f,g,h,i,l,m,n,o,p,q,r, s,t,u,v,x,z
15	099623	Particolare per serratura	Lock acessory	a,b,c,d,e,f,g,h,i,l,m,n,o,p,q,r, s,t,u,v,x,z
16	091609	Termoregolatore (by Carel)	Termoregulator (by Carel)	to be set - a,b,c,d,e,f,g,h,i,l,m,n,o,p,q,r, s,t,u,v,x,z
17	0C2193	Cavo alimentazione UK	Power supply cable UK	a,b,d,i,l,n,s
17	099991	Cavo alimentazione	Power supply cable	c,e,f,g,h,m,o,p,q,r,t,u,v,x,z
18	502R34200	Coperchio superiore bianco	Top panel white	d,g,h,n,q,r,s,v,z
18	502R34200	Coperchio superiore	Top panel	a,b,c,e,f,i,l,m,o,p,t,u,x
20	092247	Adesivo per cruscotto	Stiker to brand	For OEM products
20	095504	Membrana Zanussi	Zanussi membrane	For Zanussi products
20	095506	Membrana Alpeninox	Alpeninox membrane	For Alpeninox products
21	087437	Maniglia per porta	Door Handle	d,f,h,p,u,r,x,z
22	083042	Interuttore luce	Switch ON OFF light	d,f,p,u,x
23	*	Porta lampada	Light support	f,h,p,r,u,x,z
24	*	Porta lampada per starter	Starter-light support	f,h,p,r,u,x,z
24a	094258	Cablaggio luce interna (23+24)	Lamp wiring (23+24)	f,h,p,r,u,x,z
25	031523	Starter	Starter	f,h,p,r,u,x,z
26	082976	Neon	Neon	f,h,p,r,u,x,z
27	0PE020	Reattore 15 W	Reattore 15 W	f,h,p,r,u,x,z
28	085122	Copri neon	Lamp Cover	f,h,p,r,u,x,z
29	092257	Filtro anti disturbo	Electrical filter	f,h,p,r,u,x,z
30	090000	Piedino marine	Marine foot	m
32	087110	Ruota CASTOR con freno	Castor with brake	a,b,i,l
33	087111	Ruota CASTOR senza freno	Castor without brake	a,b,i,l
34	093797	Maniglia acciaio	Steel handle	a,b,c,d,e,g,i,l,m,n,o,q,s,t,v

Pos Code	Descrizione	Description	Ref. / Notes
	PAGINA 4	PAGE 4	
50	876719508 Traversa supporto gruppo	Cooling support	a,b,c,d,e,f,g,h,i,l,m,n,o,p,q,r, s,t,u,v,x,z
52	094808 Compressore. DANFOSS TLES5.7FT.3	Compressor DANFOSS TLES5.7FT.3	a,b,c,d,e,f,g,h,i,l,m,n,o,p,q,r, s,t,u,v,z
52	093455 Compressore TECUMSEH THG1365Y	Compressore TECUMSEH THG1365Y	x,w
53	0A8171 Valvolina ricarica	Valve	a,b,c,d,e,f,g,i,l,m,n,o,p, q,s,t,u,v,x
54	099629 Filtro deidratore	Filter	a,b,c,d,e,f,g,i,l,m,n,o,p, q,s,t,u,v,x
55	094813 Bacinella racc.condensa (TLES5)	Container comp. TLES5	a,b,c,d,e,f,g,i,l,m,n,o,p, q,s,t,u,v
55	093456 Bacinella racc.condensa	Container comp.	x,w
56	093074 Condensatore a piastra	Condenser	a,b,c,d,e,f,g,h,i,l,m,n,o,p,q,r, s,t,u,v,x,z
57	0A9550 Piastra evaporante	Evaporator	a,b,c,d,e,f,g,h,i,l,m,n,o,p,q,r, s,t,u,v,x,z
58	088602 Gabbietta per sonda	Probe support	a,b,c,d,e,f,g,h,i,l,m,n,o,p,q,r, s,t,u,v,x,z
59	0A9308 Ventilatore cella	Cooling fan	a,b,c,d,e,f,g,h,i,l,m,n,o,p,q,r, s,t,u,v,x,z
60	0A8719 Gommino	Bumper	a,b,c,d,e,f,g,h,i,l,m,n,o,p,q,r, s,t,u,v,x,z
61	0A9066 Supporto ventilatore	Ventilator support	a,b,c,d,e,f,g,h,i,l,m,n,o,p,q,r, s,t,u,v,x,z
62	083096 Convogliatore evaporatore	Conveyor	a,b,c,d,e,f,g,h,i,l,m,n,o,p,q,r, s,t,u,v,x,z
63	092174 Sonda cella	Probe cell	a,b,c,d,e,f,g,h,i,l,m,n,o,p,q,r, s,t,u,v,x,z
70	* Protettore GVM57AA	Protector GVM57AA	
71	095163 Distanziale PVC per ruote h80	Spacer PVC for wheels	a,b,i,l 100x80x2 mm
*	880539 Kit 2 ruote CASTOR 400 lt (32+33)	Kit 2 wheels CASTOR 400 lt (32+33)	a,b,i,l
*	880348 Kit 4 ruote CASTOR 400 lt	Kit 4 wheels CASTOR 400 lt	